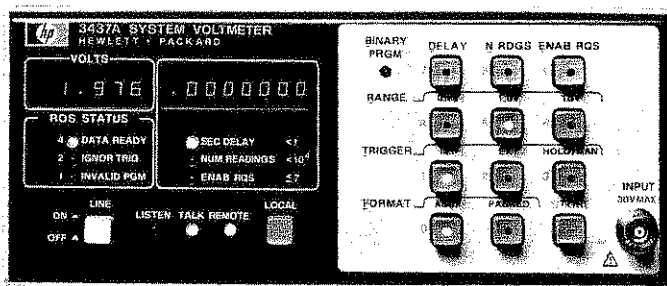


OPERATING MANUAL

SYSTEM VOLTMETER

3437A



 **HEWLETT
PACKARD**



OPERATING MANUAL

MODEL 3437A

SYSTEM VOLTMETER

Serial Numbers: 1630A00101 and greater

IMPORTANT NOTICE

This manual applies to instruments with serial numbers indicated on this page. If the instrument has been changed since this manual was printed, a yellow "Manual Change Sheet" (containing updating information) will be supplied with this manual.

WARNING

To prevent potential fire or shock hazard, do not expose equipment to rain or moisture.

Manual Part No. 03437-90012

Revision A

©Copyright Hewlett-Packard Company 1976
P.O. Box 301, Loveland, Colorado 80537 U.S.A.

Printed: December 1978



CERTIFICATION

Hewlett-Packard Company certifies that this product met its published specifications at the time of shipment from the factory. Hewlett-Packard further certifies that its calibration measurements are traceable to the United States National Bureau of Standards, to the extent allowed by the Bureau's calibration facility, and to the calibration facilities of other International Standards Organization members.

WARRANTY

This Hewlett-Packard product is warranted against defects in material and workmanship for a period of one year from date of shipment [,except that in the case of certain components listed in Section I of this manual, the warranty shall be for the specified period] . During the warranty period, Hewlett-Packard Company will, at its option, either repair or replace products which prove to be defective.

For warranty service or repair, this product must be returned to a service facility designated by -hp-. Buyer shall prepay shipping charges to -hp- and -hp- shall pay shipping charges to return the product to Buyer. However, Buyer shall pay all shipping charges, duties, and taxes for products returned to -hp- from another country.

Hewlett-Packard warrants that its software and firmware designated by -hp- for use with an instrument will execute its programming instructions when properly installed on that instrument. Hewlett-Packard does not warrant that the operation of the instrument, or software, or firmware will be uninterrupted or error free.

LIMITATION OF WARRANTY

The foregoing warranty shall not apply to defects resulting from improper or inadequate maintenance by Buyer, Buyer-supplied software or interfacing, unauthorized modification or misuse, operation outside of the environmental specifications for the product, or improper site preparation or maintenance.

NO OTHER WARRANTY IS EXPRESSED OR IMPLIED. HEWLETT-PACKARD SPECIFICALLY DISCLAIMS THE IMPLIED WARRANTIES OF MERCHANTABILITY AND FITNESS FOR A PARTICULAR PURPOSE.

EXCLUSIVE REMEDIES

THE REMEDIES PROVIDED HEREIN ARE BUYER'S SOLE AND EXCLUSIVE REMEDIES. HEWLETT-PACKARD SHALL NOT BE LIABLE FOR ANY DIRECT, INDIRECT, SPECIAL, INCIDENTAL, OR CONSEQUENTIAL DAMAGES, WHETHER BASED ON CONTRACT, TORT, OR ANY OTHER LEGAL THEORY.

ASSISTANCE

Product maintenance agreements and other customer assistance agreements are available for Hewlett-Packard products.

For any assistance, contact your nearest Hewlett-Packard Sales and Service Office. Addresses are provided at the back of this manual.



**HEWLETT
PACKARD**

SAFETY SUMMARY

The following general safety precautions must be observed during all phases of operation, service, and repair of this instrument. Failure to comply with these precautions or with specific warnings elsewhere in this manual violates safety standards of design, manufacture, and intended use of the instrument. Hewlett-Packard Company assumes no liability for the customer's failure to comply with these requirements. This is a Safety Class 1 instrument.

GROUND THE INSTRUMENT

To minimize shock hazard, the instrument chassis and cabinet must be connected to an electrical ground. The instrument is equipped with a three-conductor ac power cable. The power cable must either be plugged into an approved three-contact electrical outlet or used with a three-contact to two-contact adapter with the grounding wire (green) firmly connected to an electrical ground (safety ground) at the power outlet. The power jack and mating plug of the power cable meet International Electrotechnical Commission (IEC) safety standards.

DO NOT OPERATE IN AN EXPLOSIVE ATMOSPHERE

Do not operate the instrument in the presence of flammable gases or fumes. Operation of any electrical instrument in such an environment constitutes a definite safety hazard.

KEEP AWAY FROM LIVE CIRCUITS

Operating personnel must not remove instrument covers. Component replacement and internal adjustments must be made by qualified maintenance personnel. Do not replace components with power cable connected. Under certain conditions, dangerous voltages may exist even with the power cable removed. To avoid injuries, always disconnect power and discharge circuits before touching them.

DO NOT SERVICE OR ADJUST ALONE

Do not attempt internal service or adjustment unless another person, capable of rendering first aid and resuscitation, is present.

DO NOT SUBSTITUTE PARTS OR MODIFY INSTRUMENT

Because of the danger of introducing additional hazards, do not install substitute parts or perform any unauthorized modification to the instrument. Return the instrument to a Hewlett-Packard Sales and Service Office for service and repair to ensure that safety features are maintained.

DANGEROUS PROCEDURE WARNINGS

Warnings, such as the example below, precede potentially dangerous procedures throughout this manual. Instructions contained in the warnings must be followed.

WARNING

Dangerous voltages, capable of causing death, are present in this instrument. Use extreme caution when handling, testing, and adjusting.

SAFETY SYMBOLS

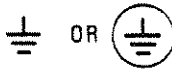
General Definitions of Safety Symbols Used On Equipment or In Manuals.



Instruction manual symbol: the product will be marked with this symbol when it is necessary for the user to refer to the instruction manual in order to protect against damage to the instrument.



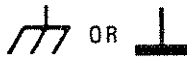
Indicates dangerous voltage (terminals fed from the interior by voltage exceeding 1000 volts must be so marked).



Protective conductor terminal. For protection against electrical shock in case of a fault. Used with field wiring terminals to indicate the terminal which must be connected to ground before operating equipment.



Low-noise or noiseless, clean ground (earth) terminal. Used for a signal common, as well as providing protection against electrical shock in case of a fault. A terminal marked with this symbol must be connected to ground in the manner described in the installation (operating) manual, and before operating the equipment.



Frame or chassis terminal. A connection to the frame (chassis) of the equipment which normally includes all exposed metal structures.



Alternating current (power line).



Direct current (power line).



Alternating or direct current (power line).

WARNING

The WARNING sign denotes a hazard. It calls attention to a procedure, practice, condition or the like, which, if not correctly performed or adhered to, could result in injury or death to personnel.

CAUTION

The CAUTION sign denotes a hazard. It calls attention to an operating procedure, practice, condition or the like, which, if not correctly performed or adhered to, could result in damage to or destruction of part or all of the product.

NOTE :

The NOTE sign denotes important information. It calls attention to procedure, practice, condition or the like, which is essential to highlight.

SECTION I

GENERAL INFORMATION

1-1. INTRODUCTION.

1-2. This section contains general information concerning the -hp- Model 3437A System DVM. Included is an instrument description, specifications, information concerning instrument and accessory information, and safety considerations.

1-3. DESCRIPTION.

1-4. The Model 3437A is a Microprocessor controlled 3½ digit, successive approximation system voltmeter, capable of sampling voltages at rates up to 5700 samples per second.

1-5. Chassis isolated input terminals, a wideband input amplifier, auto-zero, auto-polarity, sample and hold, and 100% overrange on each of the input voltage ranges (.1 volt, 1 volt, and 10 volts) provide floating measurement capability (± 20 V) over the frequency range of DC through 1.0 MHz.

1-6. Hewlett-Packard Interface Bus is standard. All front panel functions are programmable. The output data format is selectable between an ASCII (8 byte) and Packed (2 byte) format. The packed data format allows the controller additional data storage as well as allowing the input voltage to be sampled at rates up to 5700 samples per second.

1-7. The 3437A digital delay logic is capable of delaying an external trigger from 0 to 1 second (100 ns steps), and of generating up to 9999 triggers (for each trigger received) at rates of 1 Hz through 5700 Hz. The internally generated triggers provide a burst sampling capability (up to 9999 samples) at a maximum rate of 5700 sampled per second. Figures 1-1 and 1-2 illustrate the delayed measurement and burst sampling capabilities of the 3437A.

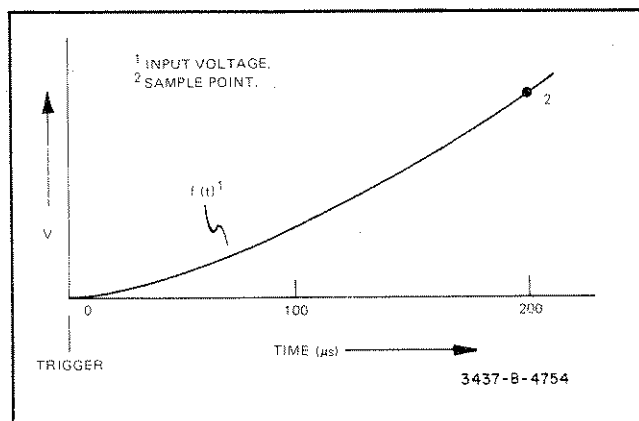


Figure 1-1. NRDGS = 1 DELAY = 200 μ s.

1-8. (Figure 1-1) 200 μ s after being triggered, the 3437A will sample and (after conversion) display the instantaneous value of the input voltage. If the 3437A is addressed to talk, the sampled input voltage will be output onto the HP-IB.

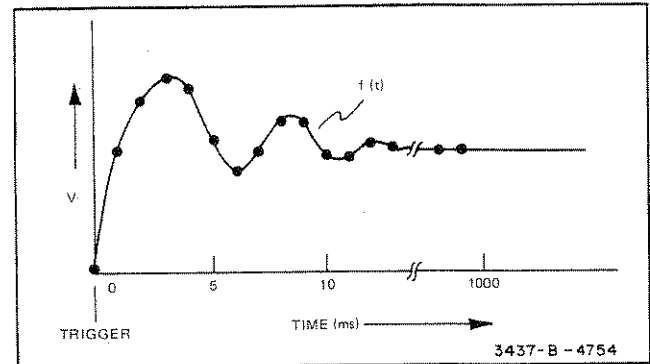


Figure 1-2. NRDGS = 1000 DELAY = 1 ms.

1-9. (Figure 1-2) When triggered, the 3437A will sample the input voltage 1000 times at 1 ms intervals. Between samples, the instantaneous value of the sampled input voltage is converted and output onto the HP-IB.

1-10. The Binary Program mode provides a means of programming the 3437A using an abbreviated program code. When interrogated in the Binary Program mode. The 3437A responds by writing 7 bytes (completely describing the programmed state of the instrument) onto the HP-IB. The controller can use these 7 bytes as an abbreviated program code to reprogram the 3437A to its previous configuration.

1-11. Model 3437A applications include:

- a. Fast multipoint data-acquisition.
- b. Repetitive-waveform analysis.
- c. Low frequency transient characterization.
- d. Low frequency True RMS measurements.

1-12. SPECIFICATIONS.

1-13. Instrument specifications are listed in Table 1-1. These specifications are the performance standards or limits against which the instrument is tested. Any change in the specifications due to manufacturing, design, or traceability to the U.S. National Bureau of Standards will be covered by revised pages, a change sheet, or both, to this manual. Addi-

Table 1-1. Specifications.

VOLTAGE MEASUREMENT CHARACTERISTICS.			
Range	Bandwidth (3dB)	Display*	
10 Volt	1.0 MHz	± 19.98 (max)	± 99.99 (ovrld)
1 Volt	1.1 MHz	± 1.998	± 9.999
.1 Volt	40 kHz	± .1998	± .9999
Static Accuracy (90 days, 23°C ± 5°C)			
10 Volt Range		± 0.05% of Reading	± 1.6 Digits
1 Volt Range		± 0.03% of Reading	± 1.6 Digits
.1 Volt Range		± 0.06% of Reading	± 1.8 Digits
Static Accuracy (1 year, 23°C ± 5°C)			
10 Volt Range		± 0.05% of Reading	± 2.0 Digits
1 Volt Range		± 0.03% of Reading	± 2.0 Digits
.1 Volt Range		± 0.06% of Reading	± 2.2 Digits
Static Accuracy Temperature Coefficient (0°C to 50°C)			
± 0.002% reading/°C ± 0.05 digits/°C			
Dynamic Accuracy			
		mV within	
Range	Step Input	Final Value	Time
10 Volt	10 V	± 200 mV	700 ns
10 Volt	10 V	± 30 mV	7.5 μs
1 Volt	1 V	± 20 mV	700 ns
1 Volt	1 V	± 3 mV	1.5 μs
.1 Volt	.1 V	± 200 μV	25 μs
DELAY CHARACTERISTICS.			
Delay			
For NRDGS equal to 0 or 1			
0 to .9999999 sec in 100 ns steps			
For NRDGS > 1			
Data Format	Delay between readings		
ASCII	277.8 μs to .9999999 sec		
Packed	175.4 μs to .9999999 sec		
Offset (actual delay with 0 delay programmed)			
100 ns ± 25 ns			
Accuracy			
± 0.008% Delay + Delay offset			
Repeatability (Jitter)			
For NRDGS equal to 0 or 1			
Delay	Jitter		
0 or 100 ns	2 ns		
200 ns to 50 ms	10 ns + .002% of Delay		
> 50 ms	110 ns		
NUMBER OF READINGS. (For each trigger received.)			
From 0 to 9999			
INPUT CHARACTERISTICS.			
Input Impedance			
Range	Impedance		
10 Volt	1 MΩ (± 20%)	< 75 pF	
1 Volt	> 10 ⁸ Ω	< 75 pF	
.1 Volt	> 10 ⁸ Ω	< 75 pF	
Maximum Input Voltage (All ranges)			
HI to LO	< ± 30 V Peak		
LO to CHASSIS	< ± 42 V Peak		
PROGRAMMABILITY.			
(In accordance with IEEE - 488-1975)			
AH1	Acceptor	PP0	Parallel Poll
C0	Controller	RL1	Remote/Local
DC1	Device Clear	SR1	Service Request
DT1	Device Trigger	SH1	Source
L4	Listener	T5	Talker
COMMON MODE REJECTION RATIO.			
≥ 75 dB (1 kΩ unbalance in low input lead at 60 Hz)			

*Display will indicate overload if input is unterminated (.1 volt range).

Table 1-2. Supplemental Characteristics.

MAXIMUM READING RATE. ¹	
ASCII	3600 Readings per-second
Packed	5700 Readings per second
¹ Actual reading rate is given by:	
ASCII	$\frac{3600 \times 7 \text{ Byte Listen Rate}}{3600 + 7 \text{ Byte Listen Rate}}$
Packed	$\frac{5700 \times 2 \text{ Byte Listen Rate}}{5700 + 2 \text{ Byte Listen Rate}}$
Where Listen Rate = Data acceptance rate of listener	
GENERAL.	
Power Requirements	
100 V, 120 V, 220 V, 240 V (+ 5% -10%, 48-440 Hz)	
≤ 42 VA	
Operating Temperature	
0°C to 50°C	
Storage Temperature	
-40°C to 75°C	
Humidity Range	
< 95% RH (0°C to 40°C)	
Dimensions	
212.7 mm wide x 88.9 mm high x 527.1 mm deep	
Weight	
Net	5.6 kg
Shipping	7.6 kg
Model Number and Name	
3437A System Voltmeter	

tional information describing the operating characteristics (Table 1-2) are not specifications but are supplemental information for the user.

1-14. OPTIONS.

1-15. The following options are available for the -hp- Model 3437A System Voltmeter:


Option	-hp- Part Number	Description
907	5061-0088	Front Handle Kit
908	5061-0072	Cabinet Assembly
909	5061-0075	Cabinet Assembly

1-16. ACCESSORIES.

1-17. The following accessories are available and can be ordered from your nearest -hp- Sales and Service Office:

1. DSA Test ROM -hp- 34115A
2. Performance Test Source Interface -hp- 34114A
3. Performance Test Trigger Interface -hp- 34113A

1-18. SAFETY CONSIDERATIONS.

1-19. If, to preserve the apparatus from damage, it is necessary for the user to refer to the instruction manual, the apparatus will be marked with the symbol .

1-20. INSTRUMENT IDENTIFICATION.

1-21. A three-section serial number (XXXXAXXXXX) is used to identify the Model 3437A. Figure 1-3 illustrates the meaning of the three parts of the number.

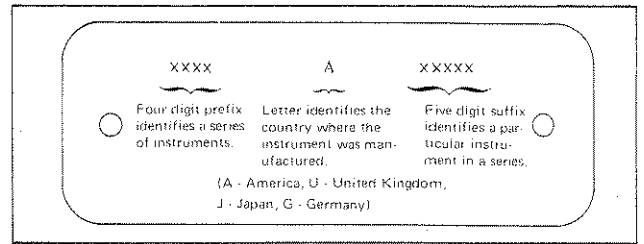


Figure 1-3. Instrument Serial Number.

Table 1-3. Message Transfer Rates (Listen).

Listen	Handshake (μ s/Byte) ^A
Commands (ATN True)	
Addressed to Listen (ATL)	58
Addressed to Talk (ATT)	38
Group Execute Trigger (GET)	160
Local Lockout (LLO)	37
Selected Device Clear (SDC)	124
Serial Poll Enable (SPE)	35
Serial Poll Disable (SPD)	36
Unlisten (UNL)	36
Untalk (UNT)	36
Program Code (ATN False)	
Delay	100
" "	92
0	64
1	69
2	74
3	79
4	84
5	89
6	94
Store	176
NRDGS	112
1	94
2	68
3	68
4	68
Store	112
Enab RQS	108
7	59
Store	90

Listen	Handshake (μ s/Byte) ^A
Program Code (ATN False)	
Cont'd	
Range	56
1	88
Range	56
2	89
Range	56
3	90
Trigger	56
1	97
Trigger	56
2	98
Trigger	56
3 ^B	90
Trigger	56
3 ^C	74
Format	56
1	98
Format	56
2	99
Binary Prgm	83
1st Byte	95
2nd Byte	78
3rd Byte	66
4th Byte	75
5th Byte	42
6th Byte	42
7th Byte	140

Table 1-4. Message Transfer Rates (Talk).

Talk	Handshake (μ s/Byte) ^A
Data Formats (ATN False)	
ASCII	22 μ s
Packed	20 μ s

^ATypical

^BInitial

^CSubsequent—maximum rate (due to conversion time) \cong 240 μ s.

SECTION II INSTALLATION

2-1. INTRODUCTION.

2-2. This section contains information and instructions pertaining to initial instrument set-up. Included are initial inspection procedures, power and grounding requirements, environmental information, bench and rack mounting instructions, a description of interface connectors, and repackaging instructions.

2-3. INITIAL INSPECTION.

2-4. This instrument was carefully inspected both mechanically and electrically before shipment. It should be free of marks or scratches and in perfect electrical order upon receipt. To confirm this, the instrument should be inspected for physical damage that might have occurred in transit, and the electrical performance should be tested using the performance tests outlined in Section V. If there is damage or deficiency, refer to the warranty inside the front cover of this manual.

2-5. POWER REQUIREMENTS.

2-6. This instrument can be operated from ac line voltages of 100 V, 120 V, 220 V, 240 V, at corresponding line frequencies of 48 through 440 Hz.



Verify that the 110 V/220 V Line Voltage Selection switch, (Figure 2-1) located on the rear panel of Model 3437A, is set to the ac source voltage to be used before inserting the power cord and turning the instrument on. Also insure that the proper fuse is installed.

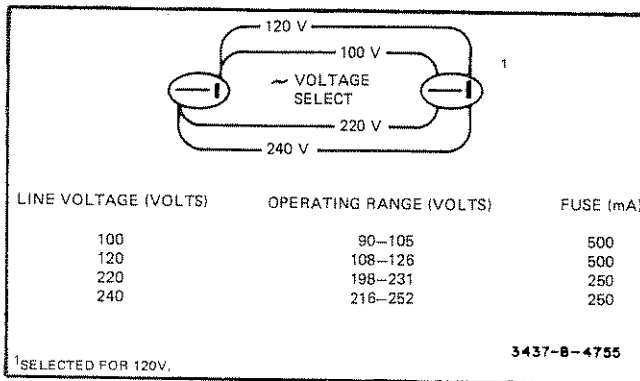


Figure 2-1. Line Voltage Selection.

2-7. Power Cords and Receptacles.

2-8. Figure 2-2 illustrates the various -hp- power cord configurations. If the appropriate power cord is not included with the instrument, notify the nearest -hp- Sales and Service Office and a replacement cord will be provided.

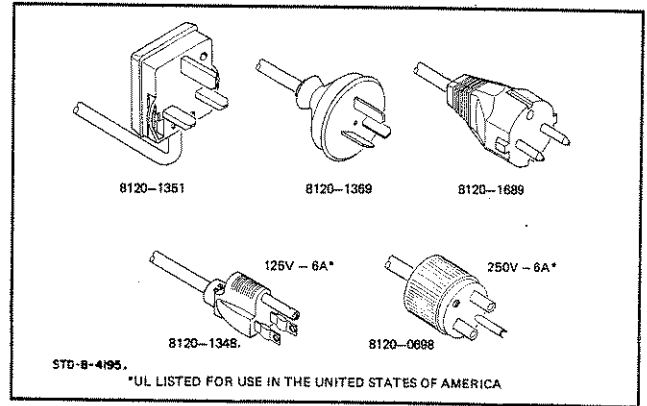


Figure 2-2. -hp- Power Cords.

2-9. Grounding Requirements.

2-10. To protect operating personnel, the National Electrical Manufacturers' Association (NEMA) recommends that the instrument panel and cabinet be grounded. The Model 3437A is equipped with a three-conductor power cable which, when plugged into an appropriate receptacle, grounds the instrument. The offset pin on the power cable is the ground wire.

2-11. To preserve the protection feature when operating from a two-contact outlet, use a three-prong to two-prong adapter and connect the green pigtail on the adapter to power line ground.

2-12. ENVIRONMENTAL REQUIREMENTS.

2-13. The 3437A should not be operated where the ambient temperature exceeds 0°C to 50°C or stored where the ambient temperature exceeds - 40°C to + 75°C.

2-14. Humidity.

2-15. The instrument may be operated in environments with relative humidity of up to 95%. However, the instrument must be protected from temperature extremes which cause condensation within the instrument.

2-16. Altitude.

2-17. The instrument may be operated at altitudes up to 4573 meters (15,000 feet).

WARNING

To prevent potential electrical or fire hazard, do not expose equipment to rain or moisture.

2-18. INSTRUMENT MOUNTING.

2-19. The Model 3437A is shipped with plastic feet and tilt stand in place, ready for use as a bench instrument. The front of the instrument may be elevated for convenience of operating and viewing by extending the tilt stand. The plastic feet are shaped to permit placing the instrument on top of other half-module Hewlett-Packard instruments.

2-20. Rack Mounting.

2-21. The Model 3437A is housed in a -hp- standard (½

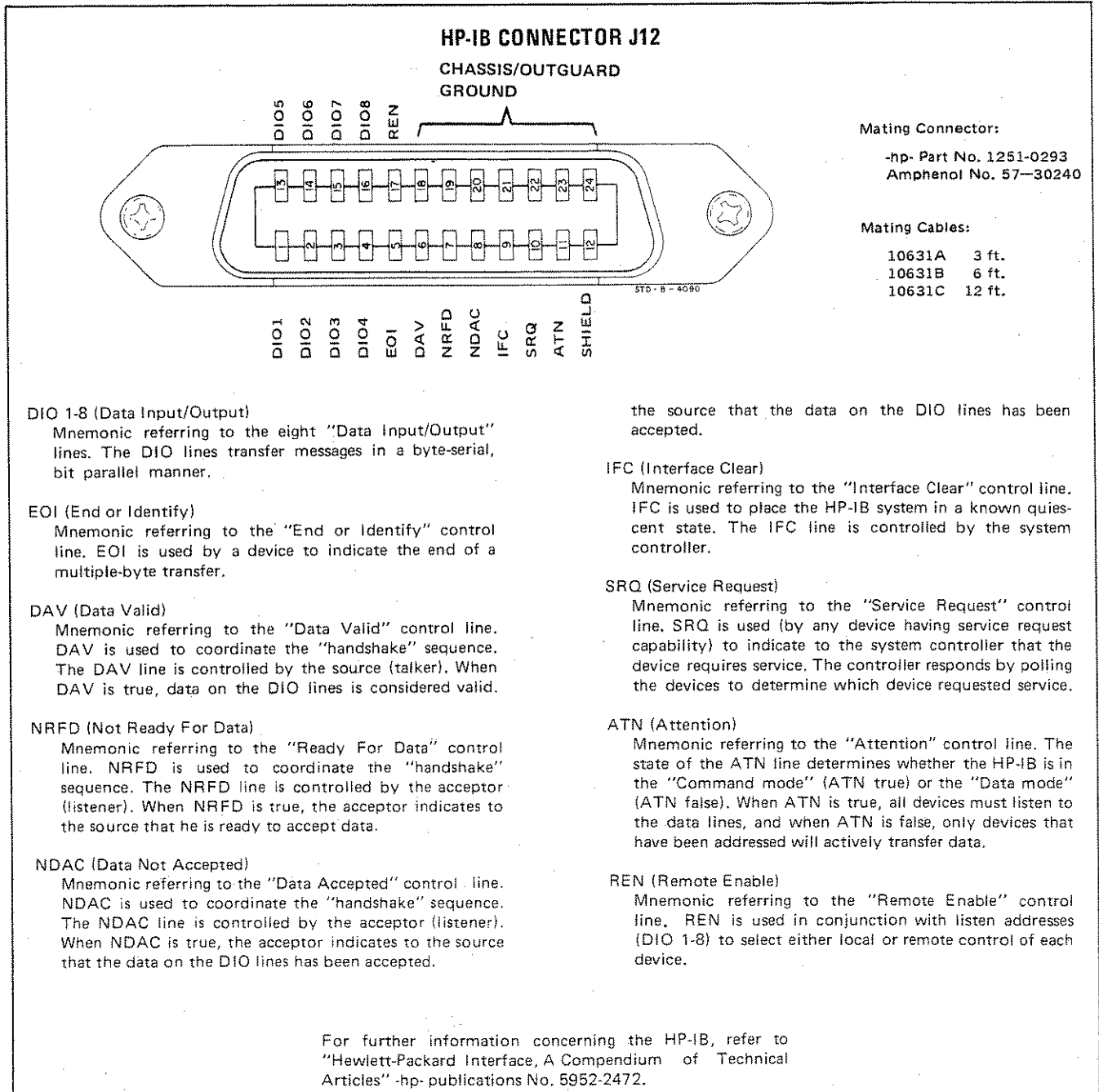


Figure 2-3. Hewlett-Packard Interface Bus Connector.

module) System II enclosure. Refer to the -hp- catalog for rack mounting accessories.

2-22. Interface Connectors.

2-23. Input. The voltage to be measured is applied to either the front or rear panel mounted (parallel connected) triax connector labeled INPUT.

2-24. Ext Trig and Delay Out. A standard (negative edge) TTL input applied to the rear panel mounted BNC connector labeled EXT TRIG causes the instrument to initiate one or more measurements and provide one or more corresponding delayed triggers at the rear panel mounted BNC connector labeled DELAY OUT.

2-25. Hewlett-Packard Interface Bus (HP-IB). Figure 2-3 illustrates the rear panel HP-IB connector, along with a brief description of each signal line.

2-26. Interface Cable Length. The maximum accumulative length of an HP-IB cable in any system must not exceed more than 2 meters of cable per device (up to 15 devices) or 20 meters, whichever is less.

2-27. REPACKAGING FOR SHIPMENT.

2-28. The following is a general guide for repackaging the instrument for shipment. If the original container is available, place the instrument in the container with appropri-

ate packing material and seal with strong tape or metal bands. If the original container is not available, proceed as follows:

a. Wrap the instrument in heavy paper or plastic before placing in an inner container.

b. Place packing material around all sides of the instrument and protect panel face with cardboard strips or plastic foam.

c. Place the instrument and inner container in a heavy carton and seal with strong tape or metal bands.

d. Mark shipping container "DELICATE INSTRUMENT." "FRAGILE." etc.

NOTE

If the instrument is to be shipped to Hewlett-Packard for service or repair, attach a tag to the instrument identifying the owner and indicating the service or repair to be accomplished. Include the model number and full serial number of the instrument. In any correspondence, identify the instrument by model number and full serial number. If you have any questions, contact your nearest -hp- Sales and Service Office.

SECTION III

OPERATING INSTRUCTIONS

3-1. INTRODUCTION.

3-2. This section contains complete operating instructions (both bench and system) for the Model 3437A Systems Voltmeter. Included is a description of the front and rear panel controls and indicators, programming instructions, and application examples.

3-3. Controls and Indicators.

3-4. Figure 3-1 identifies the 3437A displays, annunciators, controls, and connectors. The identification of each item is keyed to the drawing within the figure.

3-5. Front Panel Description.

3-6. **KEYBOARD.** The 3437A keyboard functions in two modes:

- a. Key per function.
- b. Numeric entry.

3-7. **Key Per Function.** The Key Per Function mode (each key representing instrument functions) occurs when the instrument is turned on.

3-8. **Numeric Entry.** The Numeric Entry mode (announced by blinking DELAY, NRDGS, or ENAB RQS annunciators) is a subset of the Key Per Function mode, and occurs when either the DELAY, N RDGS, or ENAB RQS keys are pressed.



ed while the keyboard is in the Key Per Function mode. Subsequent entries (displayed by the numeric entry display) correspond to the blue labeled numeric symbols 0-9 and decimal point . The Numeric Entry mode is terminated when ^{STOR} is pressed.

3-9. **VOLTS DISPLAY.** Displays the sign and magnitude of the sampled input voltage (“+” is implied). The overload indication is ± 99.99 (Decimal point position corresponds to voltage range selected).

3-10. **NUMERIC ENTRY DISPLAY.** The contents of the numeric entry display are announced directly below the display.

3-11. **RQS STATUS.** The RQS STATUS annunciators announce the instrument status.

3-12. **Data Ready.** The DATA READY annunciator notifies the operator that the sampled input voltage has

been converted, displayed, and is ready to be output onto the HP-IB. The DATA READY annunciator remains on until the measurement data has been output onto the HP-IB, or until a new function is programmed.

3-13. **Ignore Trig.** The IGNORE TRIG annunciator notifies the operator that a second trigger occurred prior to completion of the measurement sequence/data transfer initiated by the first trigger, and that the second trigger was ignored. The IGNORE TRIG annunciator remains on until a new function is programmed.

3-14. **Invalid Prgm.** The INVALID PRGM annunciator notifies the operator that an invalid program condition has occurred. The annunciator becomes illuminated during the Remote and Local modes of operation, for the following reasons:

LOCAL:

a. **DELAY (0–9999999).** The first entry into the delay field must be a decimal point. Any entry other than a decimal point (leading zeros ignored) results in an invalid program condition. When this occurs, the last valid delay entry is stored and the numeric entry mode is terminated. The INVALID PGM annunciator remains on until the key causing the invalid entry is released.

b. **NRDGS (0–9999).** A decimal point entry into the number of readings field results in an invalid program condition. When this occurs, the last valid NRDGS entry is stored and the numeric entry mode is terminated. The INVALID PGM annunciator remains on until the key causing the invalid entry is released.

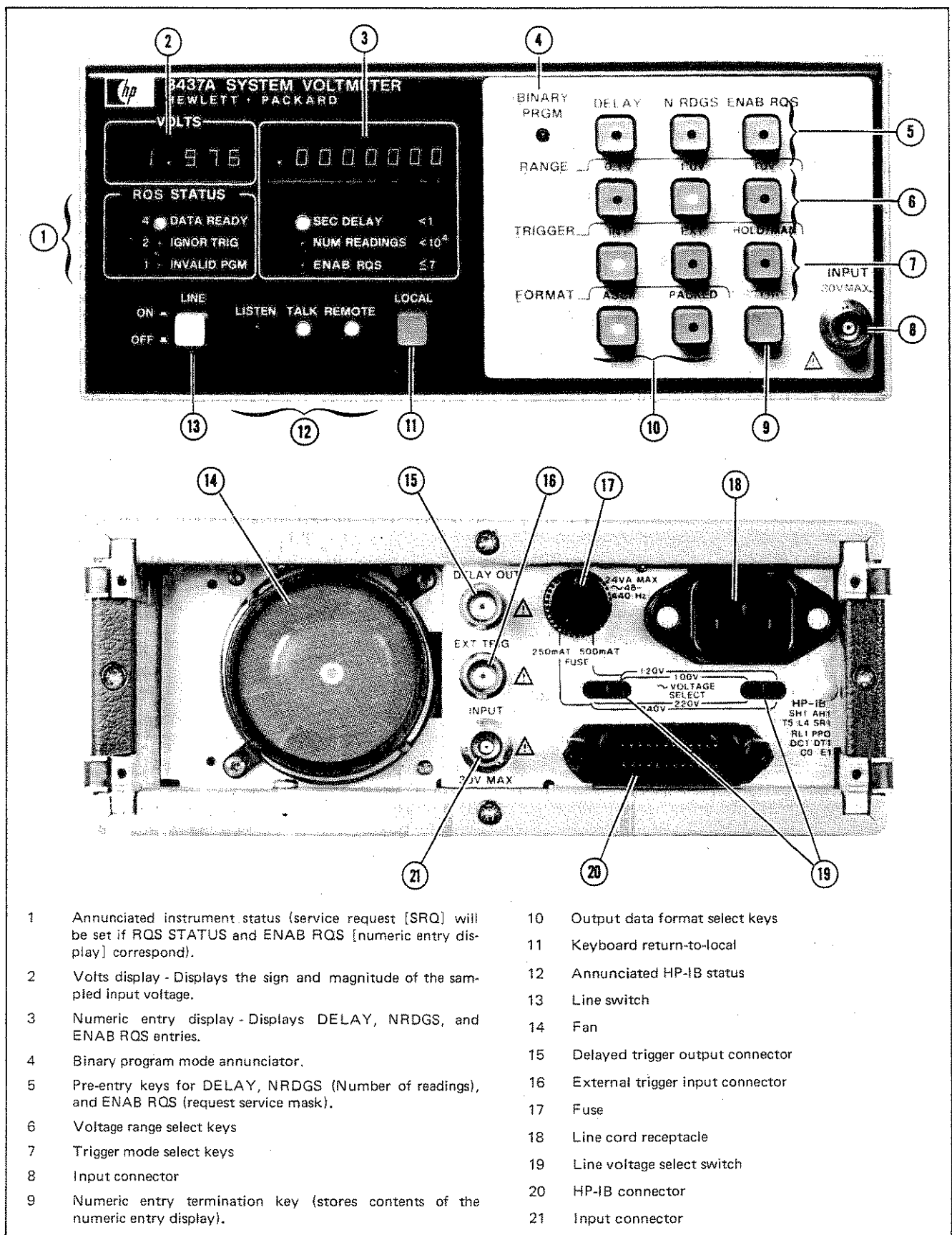
c. **ENAB RQS (0–7).** Any entry other than 0–7 results in an invalid program condition. When this occurs, the last valid ENAB RQS entry is stored and the numeric entry mode is terminated. The INVALID PGM annunciator remains on until the key causing the invalid entry is released.

d. **STORE.** If the ^{STORE} key is pressed while the

keyboard is not in the Numeric Entry mode, an invalid program condition occurs. The INVALID PGM annunciator remains on until the key causing the invalid entry is released.

REMOTE:


An invalid entry while in the Numeric Entry mode, or the use of an invalid program code, will result in an invalid







- | | |
|---|---|
| <p>1 Annunciated instrument status (service request [SRQ] will be set if ROS STATUS and ENAB ROS [numeric entry display] correspond).</p> <p>2 Volts display - Displays the sign and magnitude of the sampled input voltage.</p> <p>3 Numeric entry display - Displays DELAY, NRDGS, and ENAB ROS entries.</p> <p>4 Binary program mode annunciator.</p> <p>5 Pre-entry keys for DELAY, NRDGS (Number of readings), and ENAB ROS (request service mask).</p> <p>6 Voltage range select keys</p> <p>7 Trigger mode select keys</p> <p>8 Input connector</p> <p>9 Numeric entry termination key (stores contents of the numeric entry display).</p> | <p>10 Output data format select keys</p> <p>11 Keyboard return-to-local</p> <p>12 Annunciated HP-IB status</p> <p>13 Line switch</p> <p>14 Fan</p> <p>15 Delayed trigger output connector</p> <p>16 External trigger input connector</p> <p>17 Fuse</p> <p>18 Line cord receptacle</p> <p>19 Line voltage select switch</p> <p>20 HP-IB connector</p> <p>21 Input connector</p> |
|---|---|


Figure 3-1. 3437A Front and Rear Panel Description.

program condition to occur. The INVALID PGM annunciator remains on until the 3437A is readdressed to listen.



3-15. . The DELAY key (delay pre-entry) is used when entering either the delay between readings (NRDGS > 1) or the delay that occurs prior to sampling the input voltage after the 3437A is triggered (NRDGS=1).


EXAMPLE:

1. Press 
 - a. The Numeric Entry mode is annunciated by the (Flashing) DELAY annunciator.
 - b. The numeric entry display (annunciated by SEC DELAY) displays the previously stored delay.
2. Press  (Any entry other than a decimal point (leading zeros ignored) results in an invalid program condition.
3. Enter up to 7 integers corresponding to the specified delay (additional inputs are ignored). A partial delay field can be set to zeros by pressing .
4. Terminate DELAY entry (Numeric Entry mode) by pressing .

3-16. . The NRDGS key (number of readings pre-entry) is used when entering the number of readings to be taken after the 3437A is triggered.

EXAMPLE:

1. Press 
 - a. The Numeric Entry mode is annunciated by the (Flashing) NRDGS annunciator.
 - b. The numeric entry display (annunciated by NUM READINGS) displays the previously stored number of readings.
2. Enter a 4 digit integer (0-9999) corresponding to the number of readings to be taken after the 3437A is triggered. (If a decimal point is entered into the number of readings field, an invalid program condition results.) Additional entries into a completed NRDGS field, cause previous entries to be shifted left.
3. Terminate NRDGS entry (Numeric Entry mode) by pressing .

3-17. . The ENAB RQS key (enable request pre-entry) is used when entering the request service mask. (The request service mask is an octal number (0-7) identifying the conditions for which service request (SRQ) is initiated.) Table 3-1 shows the request service mask and corresponding conditions for which the 3437A will initiate a service request.

EXAMPLE:

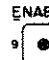

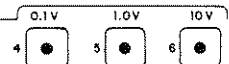
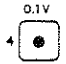
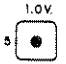
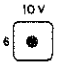
1. Press 
 - a. The Numeric Entry mode is annunciated by the (Flashing) ENAB RQS annunciator.
 - b. The numeric entry display (annunciated by ENAB RQS) displays the previously stored request service mask.
2. Enter the request service mask (0-7). An invalid entry results in an invalid program condition to occur. (Additional entries override previous entries.)
3. Terminate ENAB RQS entry (numeric entry mode) by pressing .

Table 3-1. SRQ Conditions.

RQS Mask ¹		Conditions for Initiating SRQ
(4 2 1)	(Octal)	
0 0 0	0	No SRQ Capabilities
0 0 1	1	Invalid Program
0 1 0	2	Trigger Ignore
0 1 1	3	Trigger Ignore or Invalid Program
1 0 0	4	Data Ready
1 0 1	5	Data Ready or Invalid Program
1 1 0	6	Data Ready or Trigger Ignore
1 1 1	7	Data Ready or Trigger Ignore or Invalid Program

¹ a. Invalid PGM
 b. Trig Ignore
 c. Data Ready

3-18. RANGE . The three voltage ranges (annunciated by the range select keys) are selected by pressing either the    key. (Each range has 100% overrange capability.) The displayed decimal point position will not correspond to the selected voltage range until the 3437A has sampled the input voltage.

INT.

a. Local - With zero delay programmed, the sample rate is approximately 10 samples per second.

b. Remote - To generate an internal trigger while in remote, the following conditions must exist:

1. Remote
2. Internal Trigger
3. Addressed to Talk
4. Not in Binary Prgm Mode
5. Not in Serial Poll Mode
6. Not in Numeric Entry Mode

With these conditions satisfied, the 3437A will generate an internal trigger on the transition of ATN false.

EXT.

The 3437A will sample the input voltage when triggered (TTL negative edge) at the external trigger input connector.



External trigger inputs exceeding TTL levels (0 to 5 V) may cause damage to the 3437A's external trigger input circuitry. The Performance Test trigger interface (-hp- 34113A) is useful for clamping bipolar triggers to within TTL levels. Refer to page 5-85 for more information on this interface.

HOLD/MAN. (LOCAL & REMOTE)

The first time the key is pressed, the 3437A holds the volts display of the last sampled voltage constant. The second time the key is pressed (and each time thereafter), a manual trigger is generated. Manual triggers can be generated in this manner until a new function is programmed.

GROUP EXECUTE TRIGGER.

(Addressed HP-IB Command.) Each time the 3437A receives group execute trigger (GET) while addressed to listen, it will generate a trigger (regardless of trigger mode selected).

3-20. FORMAT The output data format is selectable between an ASCII (8-byte) and PACKED (2-byte) format.

3-21. Each data transfer is output as 6 ASCII characters, followed by a carriage return (CR) and line feed (LF) concurrent with EOI true.

EXAMPLES:

a. Normal

- i. .1 volt range ± .1998 (CR) (LF and EOI)
- ii. 1 volt range ± 1.998 (CR) (LF and EOI)
- iii. 10 volt range ± 19.98 (CR) (LF and EOI)

b. Overload

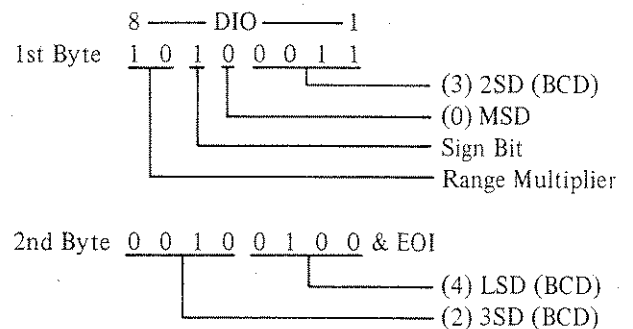
- i. .1 volt range ± .9999 (CR) (LF and EOI)
- ii. 1 volt range ± 9.999 (CR) (LF and EOI)
- iii. 10 volt range ± 99.99 (CR) (LF and EOI)

For measurement data where NRDGS > 1, the (CR) and (LF and EOI) is suppressed (between the intermediate outputs) and the data is delimited by a comma.

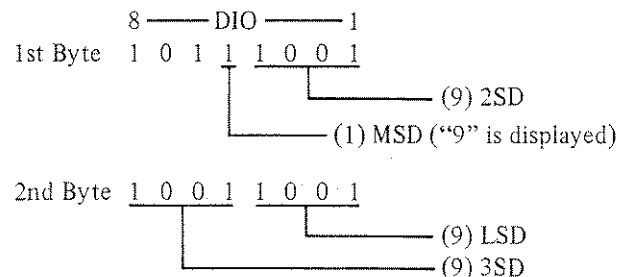
3-22. Each data transfer is output as 2 binary bytes. The second byte is concurrent with EOI true.

EXAMPLES:

a. Normal (+ 3.24 volts, 10 volt range)



b. Overload (+25 volts, 10 volt range)



For measurement data where NRDGS > 1, EOI is suppressed (between intermediate outputs) and the data is not delimited. EOI true is sent concurrent with the second data-byte of the last data transfer. Table 3-2 shows the packed format designators.

3-23. LOCAL. When the 3437A is in remote (not local lockout), pressing returns the 3437A keyboard from remote (HP-IB controlled) to local (front panel controlled).

3-24. Programming Instructions.

3-25. The 3437A is a systems instrument intended to be used with the HP-IB (IEEE STD 488-1975 or equivalent) system. The following paragraphs describe HP-IB operation.

Table 3-2. Packed Format Designators.

Byte	Function	DIO								Description
		8	7	6	5	4	3	2	1	
1st	Range Multiplier	0	1							1 Volt Range
		1	1							1 Volt Range
		1	0							10 Volt Range
	Sign bit			1						Positive
				0						Negative
	MSD				1					} Numeric Value of Sampled Input Voltage
					0					
	2 SD					X	X	X	X	
2nd	3 SD	X	X	X	X					
	LSD					X	X	X	X	}

3-26. The HP-IB transfers messages (data and commands) between the components of an instrumentation system on 16 signal lines. The interface functions for each system component are performed within the component so that only passive cabling is needed to connect the system. The cables connect all instruments, controllers, and other components of the system in parallel.

3-27. Eight of the lines (DIO 1-8) are reserved for the transfer of messages in a byte-serial, bit-parallel manner. Message transfer is asynchronous, coordinated by the three handshake lines (DAV, NRFD, and NDAC). The remaining five lines are for control of HP-IB activity.

3-28. Devices connected to the HP-IB may be talkers, listeners, or controllers. The controller dictates the roll of each of the other devices by setting the ATN (attention) line true and sending talk or listen addresses on the data lines (DIO 1-8).

3-29. Addresses are set into each device at the time of system configuration. (The 3437A HP-IB address select switch is located on the Logic board.) While the ATN line is true, all devices must listen to the data lines. When ATN is false, only devices that have been addressed will actively send or receive data. All other devices ignore the data lines.

3-30. Several listeners can be active simultaneously but only one talker can be active at a time. Whenever a talk address is put on the data lines (while ATN is true), all other talkers are automatically unaddressed.

3-31. Information is transmitted on the data lines under sequential control of the three handshake lines. No step in the sequence can be initiated until the previous step is completed. Information transfer can proceed as fast as devices can respond, but no faster than allowed by the slowest device presently addressed. This permits several devices to receive the same message byte concurrently.

3-32. The ATN line is one of the five control lines. When ATN is true, addresses and commands are transmitted on seven of the data lines using the ASCII code. When ATN is

false, any code of 8 bits (or less) understood by both talker and listener(s) may be used.

3-33. The other control lines are IFC, REN, SRQ, and EOI. IFC (interface clear) places the interface system in a known quiescent state (the 3437A becomes unaddressed to listen, unaddressed to talk, and the serial poll mode (SPM) is cleared). REN (remote enable) is used in conjunction with listen addresses to select either local or remote control of each device. Any device having service request capability can set service request (SRQ) true. This indicates to the system controller that a device on the bus requires attention. EOI (end or identify) is used by a device to indicate the end of a multiple-byte transfer (the 3437A sets EOI true concurrent with the last data-byte of a multiple data-byte transfer). For further information concerning the HP-IB, refer to "Hewlett-Packard Interface. A Compendium of Technical Articles" -hp- publications No. 5952-2472.

3-34. HP-IB Address Selection. A seven-bit binary code forms the complete TALK or LISTEN address of the 3437A. The first five bits of the code (selected by A2S1) are referred to as the instrument address. The remaining two bits (DIO 6-7) are controller originated and define the address to be either TALK or LISTEN. The seven-bit code forms an ASCII character (Table 3-3) that uniquely defines the selected TALK or LISTEN address. Figure 3-2 illustrates the address select switch and address code designators.

3-35. Program Code Set. Program code (an alpha-numeric code representing various instrument functions) is used to control the front panel while the 3437A is in the remote mode of operation. To implement the program code set (Table 3-4), it is necessary for the 3437A to be in remote and addressed to listen.

3-36. The 3437A front panel is designed to imply the program code set. The underlined alpha characters represent the program code alpha symbol for the corresponding instrument function.

EXAMPLE:

The program code string:

D.0025S, N100S, EOS, R3, T2, F1 reads:

- | | | |
|----|-----------------|----------|
| 1. | <u>DELAY</u> | 2.5 ms |
| 2. | <u>NRDGS</u> | 100 |
| 3. | <u>ENAB RQS</u> | 0 |
| 4. | <u>Range</u> | 10 Volts |
| 5. | <u>Trigger</u> | External |
| 6. | <u>Format</u> | ASCII |

It is not necessary to reprogram all functions each time a programming change is made. (The order of program code, and the use of commas is optional.)

Table 3-3. Address Codes.

ASCII CODE CHARACTER		BINARY CODE					OCTAL CODE		5 BIT DECIMAL ³ EQUIVALENT		
Listen Address	Talk Address	b ₇ ¹	b ₆	A5 b ₅	A4 b ₄	A3 b ₃	A2 b ₂	A1 b ₁		Listen	Talk
SP	@	0	0	0	0	0	0	0	040	100	0
!	A	0	0	0	0	0	0	1	041	101	1
"	B	0	0	0	0	1	0	0	042	102	2
#	C	0	0	0	0	1	1	0	043	103	3
\$	D	0	0	0	1	0	0	0	044	104	4
%	E	0	0	0	1	0	1	0	045	105	5
&	F	0	0	0	1	1	0	0	046	106	6
'	G	0	0	0	1	1	1	0	047	107	7
(H	0	0	1	0	0	0	0	050	110	8
)	I	0	0	1	0	0	1	0	051	111	9
*	J	0	0	1	0	1	0	0	052	112	10
+	K	0	0	1	0	1	1	0	053	113	11
,	L	0	0	1	1	0	0	0	054	114	12
-	M	0	0	1	1	0	1	0	055	115	13
.	N	0	0	1	1	1	0	0	056	116	14
/	O	0	0	1	1	1	1	0	057	117	15
0	P	1	0	0	0	0	0	0	060	120	16
1	Q	1	0	0	0	0	1	0	061	121	17
2	R	1	0	0	0	1	0	0	062	122	18
3	S	1	0	0	0	1	1	0	063	123	19
4	T	1	0	0	1	0	0	0	064	124	20
5	U	1	0	0	1	0	1	0	065	125	21
6	V	1	0	0	1	1	0	0	066	126	22
7	W	1	0	0	1	1	1	0	067	127	23
8	X	1	1	0	0	0	0	0	070	130	24 ²
9	Y	1	1	0	0	0	1	0	071	131	25
:	Z	1	1	0	1	0	0	0	072	132	26
;	[1	1	0	1	1	0	0	073	133	27
<	\	1	1	1	0	0	0	0	074	134	28
=]	1	1	1	0	1	0	0	075	135	29
>	~	1	1	1	1	1	0	0	076	136	30

¹Only the first five bits of the binary code are listed. These bits (set by A2S1) are the same for both the TALK and LISTEN address. The sixth and seventh bits (controller originated) determine whether the instrument is being addressed to TALK or LISTEN.

²3437A factory preset address.

³Derived from the sum of the binary weighted value of the first five address bits.

Function	Bit 7	Bit 6
Talk	1	0
Listen	0	1

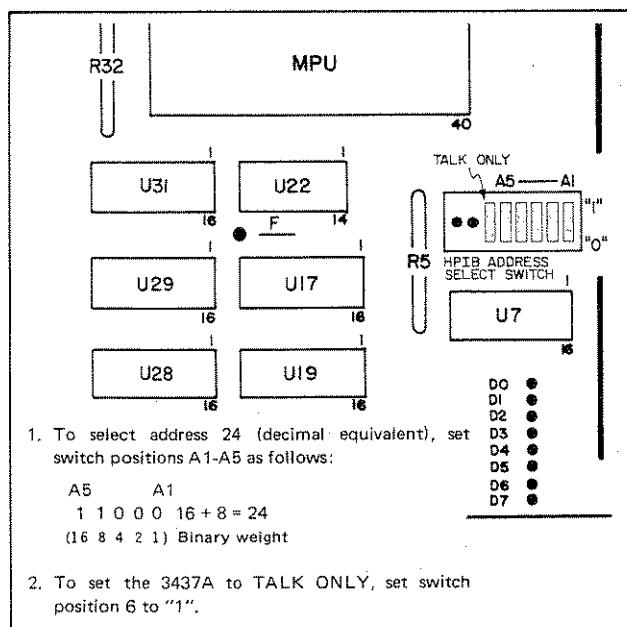


Figure 3-2. Address Select Switch and Address Code Designators.

Table 3-4. 3437A Program Code Summary.

PROGRAMMING CODES ¹		
Program Code (ASCII Character)	Description	Octal Code
D	Delay	104
N	NRDGS	116
E	ENAB RQS	105
S	Store	123
R	Range	122
1	.1 volt	061
2	1 volt	062
3	10 volts	063
T	Trigger	124
1	Internal	061
2	External	062
3	Hold/Man	063
F	Format	106
1	ASCII	061
2	Packed	062
B	Binary Prgm	102

¹Program Code Handshake occurs with the 3437A in Remote, Addressed to Listen, and ATN false.

3-37. Message Set. Bi-directional traffic over the HP-IB (including program code) is described in terms of messages.

The controller originated messages (commands) are described in Table 3-5 and categorized as follows:

1. Addressed (Directed to bus devices previously addressed to listen)
2. Universal (Directed to all bus devices capable of responding to the command)

EXAMPLE:

The system controller can configure the 3437A to its

initial turn-on state by sending the universal command, Device Clear (DCL), or the addressed command, Selected Device Clear (SDC).

3-38. The 3437A originated messages allow the 3437A to communicate with the system controller, and to participate in the handshake process involved in the data-byte transfer process.

EXAMPLE:

The 3437A can advise the system controller that it requires service by sending the service request (SRQ) message.

Table 3-5. 3437A Message Set Summary Sheet.

Message	Description	Class	Octal Code	R E N	I F C	Instrument Response
DCL	Device Clear	UC ²	024	T		The 3437A configures to its initial turn-on state. Volts display (sampled input voltage) Numeric entry display (SEC DELAY) RQS STATUS (DATA READY) DELAY (0) NRDGS (1) ENAB RQS (0) RANGE (10 volts) TRIGGER (INT) FORMAT (ASCII)
SDC	Selected Device Clear	AC ³	004			If addressed, the 3437A configures to its turn-on state.
GET	Group Execute Trigger	AC	010	T		Is triggered (regardless of trigger mode)
GTL	Go to Local	AC	001	T		Returns the 3437A from remote (HP-IB Controlled) to local (front panel controlled)
LLO	Local lockout	UC	021	T		Disables the Local Key From LLO to GTL to TREN = Remains in LLO From LLO to FREN to TREN = Exits LLO
MLA	My Listen Address	AC				Becomes addressed to listen.
MTA	My Talk Address	AC				Becomes addressed to talk.
UNL	Unlisten	AC	077			Becomes unaddressed to listen.
UNT	Untalk	AC	137			Becomes unaddressed to talk.
SPE	Serial Poll Enable	UC	030			Configures the 3437A into the serial poll mode.
SPD	Serial Poll Disable	UC	031			Exits serial poll mode.
IFC	Interface Clear	}	Single Line MSG		T	Unaddress the 3437A as a talker and as a listener and clears serial poll mode.
REN	Remote Enable			T	Programs the 3437A to remote (concurrent with MLA). Returns the 3437A to local.	
				F		

¹All multiline (DIO 1-8) messages are sent with ATN true.
²Universal command.
³Addressed command.

3-39. The capability of the 3437A as a systems instrument (in accordance with IEEE - 488-1975) is as follows:

SH1	Source	RL1	Remote/Local
AH1	Acceptor	PP0	Parallel Poll
T5	Talker	DC1	Device Clear
L4	Listener	DT1	Device Trigger
SR1	Service Request	C0	Controller

3-40. Binary Program.

3-41. Binary Programming, consisting of a learn mode (3437A to controller) and a program mode (controller to 3437A) provides the following programming capabilities.

3-42. **Learn.** The learn mode allows the system controller to determine (learn) the programmed state of the 3437A. When interrogated in the learn mode, the 3437A responds by handshaking 7 bytes (completely describing the programmed state of the instrument) onto the HP-IB. The controller, aware of the programmed state of the instru-

ment, identifies the 7 bytes with this programmed state (Table 3-6).

3-43. **Program.** The program mode allows the system controller to program the 3437A using an abbreviated program code (identical 7 bytes received in the learn mode). Since an abbreviated program code is used (compared to the normal ASCII string of up to 25 bytes to accomplish the same function), the 3437A can be reprogrammed in a minimum amount of time.

3-44. The following example illustrates Binary Program mode operation.

EXAMPLE:

- The 3437A is preset as follows:

DELAY	500 μ s
NRDGS	9999
ENAB RQS	2
RANGE	10 Volt
TRIGGER	External
FORMAT	ASCII

Table 3-6. Binary Program Code Designators.

Byte	Function	DIO							Description	
		8	7	6	5	4	3	2		1
1	Range							0	0	Invalid
								0	1	.1 Volt
								1	0	10 Volt
								1	1	1 Volt
	Trigger						0	0	Invalid	
							0	1	Internal	
							1	0	External	
							1	1	Hold/Man	
	ENAB RQS		(4 2 1)							
			0	0	0					Does not request service
			0	0	1					Invalid Prgm
			0	1	0					Ignore Trig
		0	1	1					Invalid Prgm/Ignore Trig	
		1	0	0					Data Ready	
		1	0	1					Data Ready/Invalid Prgm	
Data Format		1	1	0					Data Ready/Ignore Trig	
		1	1	1					Data Ready/Ignore Trig/Invalid Prgm	
0									Packed	
		1							ASCII	
2	NRDGS	(8 4 2 1)								
		X	X	X	X					MSD
3						X	X	X	X	2SD
		X	X	X	X					3SD
4	Delay					X	X	X	X	LSD
		X	X	X	X					Not Used (May or may not be set)
5	Delay					X	X	X	X	MSD
		X	X	X	X					2SD
6	Delay					X	X	X	X	3SD
		X	X	X	X					4SD
7	Delay					X	X	X	X	5SD
		X	X	X	X					6SD
						X	X	X	X	LSD

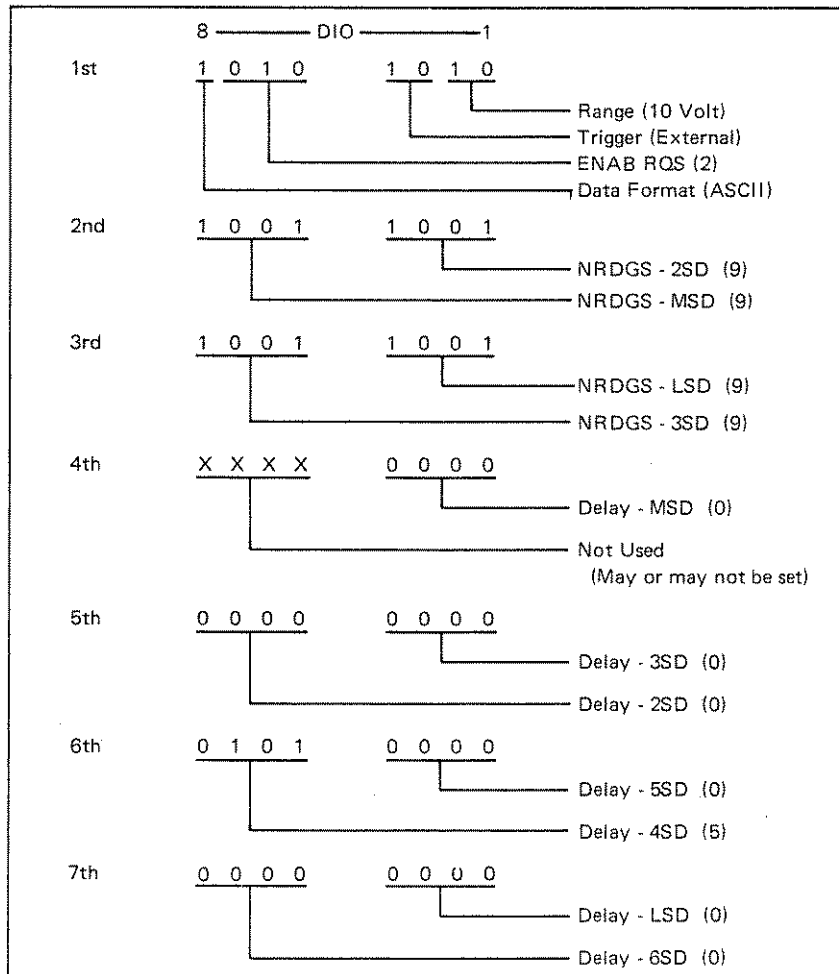
2. The system controller programs the 3437A to the Binary Program mode.
 - The 3437A is addressed to listen.
 - The controller handshakes the ASCII character B (102₈) into the 3437A. The Binary Program annunciator is illuminated.
3. The system controller interrogates the 3437A, and the 3437A responds by handshaking 7 bytes (completely describing the programmed state of the instrument) onto the HP-IB (Table 3-7).
 - The 3437A is addressed to talk.
 - When ATN becomes false, the 3437A outputs the 7 bytes onto the HP-IB.
 - The 3437A terminates the Binary Program mode after the 7th byte is output onto the HP-IB.

4. The controller stores the 7 bytes, then when required, reprograms the 3437A using the identical 7 bytes. The 3437A responds by reconfiguring to its previous state.
 - The 3437A is addressed to listen.
 - The controller handshakes the ASCII character B (102₈) into the 3437A. The Binary Program mode annunciator is illuminated.
 - The controller handshakes the 7 bytes into the 3437A, reconfiguring the instrument to its previous state.
 - The 3437A terminates the Binary Program mode after the 3437A handshakes the 7th byte.

3-45. Service Request.

3-46. The following events describe the process involving service request (SRQ), serial poll enable (SPE), and serial poll disable (SPD).

Table 3-7. Binary Program Byte Sequence (Example).



- a. The 3437A operator defines and programs the service request mask (ENAB RQS).
- b. The 3437A sets SRQ true when ENAB RQS (0 - 7) and RQS STATUS (0 - 7) correspond.
- c. The controller, programmed to respond to a service request, sets SPE true and conducts a serial poll. When the 3437A is in the serial poll mode and is addressed to talk, the 3437A responds by writing a serial poll status byte onto the HP-IB (Table 3-8).

When the serial poll status byte is output onto the HP-IB, the 3437A clears SRQ.

- d. The controller clears SPE by sending SPD.

Table 3-8. Serial Poll Status Byte.

Function	DIO							Description
	8	7	6	5	4	3	2	
ENAB RQS					X	X	X	Binary Code (0-7) ¹
RQS STATUS		X	X	X				Binary Code (0-7)
RQS Bit		X						Identifies the 3437A as the instrument that set SRQ True. (1 & True and 0 & False)
Not Used	X							Don't care.

¹See Table 3-6.

3-47. APPLICATIONS.

3-48. Introduction.

3-49. The 3437A, although designed as a System DVM, is capable of performing numerous bench (stand-alone) as well as systems functions. The following paragraphs describe some 3437A bench applications.

3-50. Bench Measurements.

3-51. Variable Sample-Rate DVM.

- a. The 3437A can be programmed to sample voltages at rates of 100 ms to 1 second. Program the 3437A keyboard as follows:

```

DELAY. . . . . 100 ms to .9999999 second
NRDGS. . . . . 1
RANGE. . . . . As required
TRIGGER. . . . . INT
    
```

- b. The 3437A will sample (and display) the instantaneous value of the input voltage at a rate specified by the programmed delay.

3-52. Time-Selective DVM.

3-53. Oscilloscope Accuracy Enhancement. Oscilloscope measurement accuracy can be enhanced to equal the voltage and delay accuracy of the 3437A. The technique requires that the oscilloscope main gate output (corresponding to start of sweep) externally trigger the 3437A, and that the 3437A Delay out modulate the oscilloscope Z-axis (video) input. The voltage to be measured is connected to both the oscilloscope and 3437A inputs. Each time the oscilloscope is triggered, the oscilloscope main gate output triggers the 3437A, and depending upon the programmed delay, the 3437A samples the input voltage sometime between reoccurring sweeps. Each time the 3437A samples the input voltage, the Delay out (connected to the oscilloscope Z-axis input) is forced low and intensifies the oscilloscope display for the time required to perform the conversion sequence.

3-54. The user views the oscilloscope display, then programs the 3437A delay to intensify the point of interest. The amplitude of the waveform and the lapsed time (from start of sweep to the leading edge of the intensified section) is displayed by the 3437A Volts and Numeric entry displays.

Example:

- a. Connect the equipment as illustrated in Figure 3-2.
- b. Program the 3437A keyboard as follows:

```

DELAY. . . . . 3 ms
NRDGS. . . . . 1
RANGE. . . . . 10
TRIGGER. . . . . EXT
    
```

- c. Set the 3310A controls as follows:

```

FUNCTION. . . . . SQ
RANGE. . . . . 10
DIAL. . . . . 25
DC OFFSET. . . . . OFF
OUTPUT LEVEL. . . . . MIN
    
```

- d. Set the oscilloscope controls as follows:

```

TIME/DIV. . . . . 1 ms
VOLTS/DIV. . . . . 1
TRIGGER. . . . . INTERNAL
    
```

- e. Adjust the 3310A output level, and the oscilloscope trigger and intensity levels to obtain a waveform as illustrated in Figure 3-3.

- f. Program the 3437A Delay so that the intensified section appears at the point of interest then read the corresponding magnitude and delay displayed by the Volts and Numeric entry display.

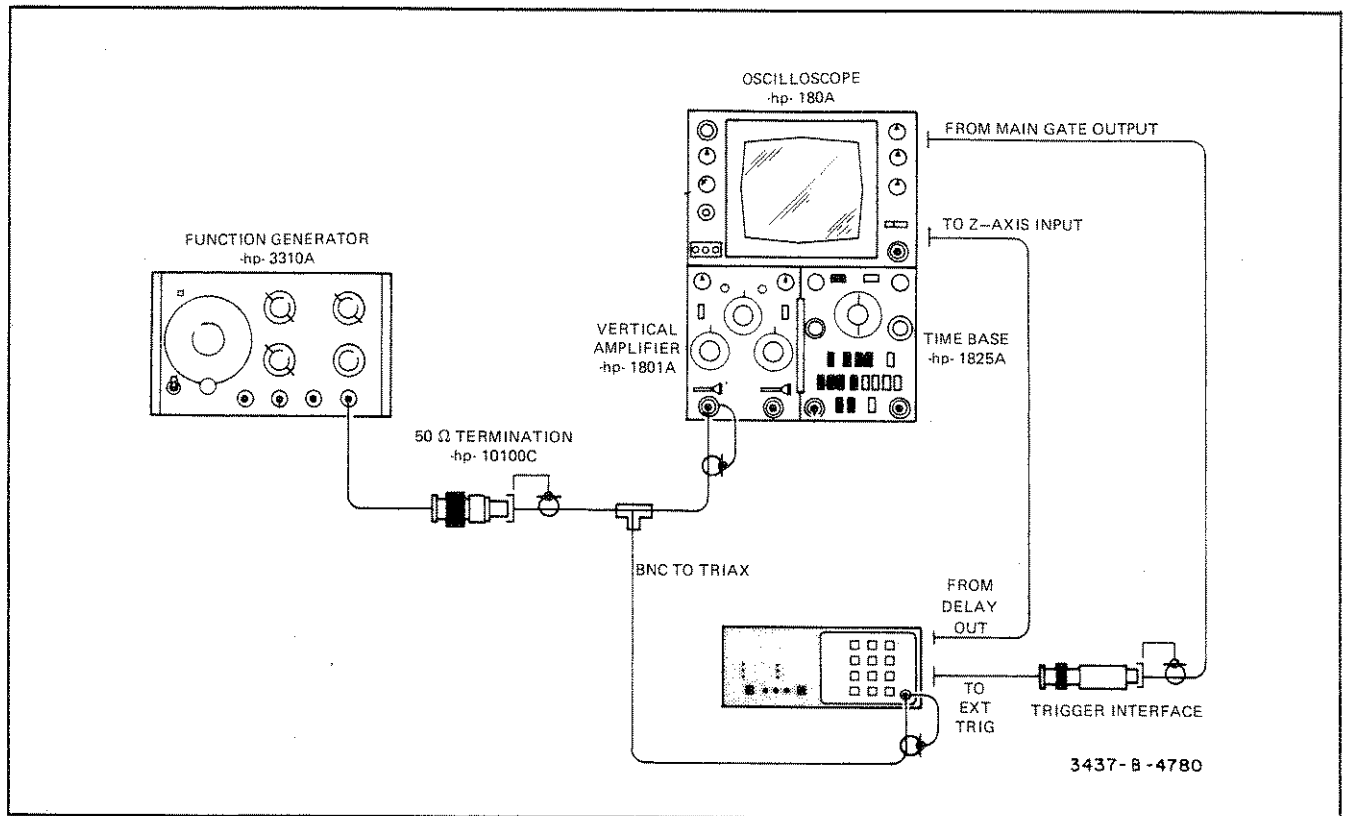


Figure 3-2. Oscilloscope Accuracy Enhancement.

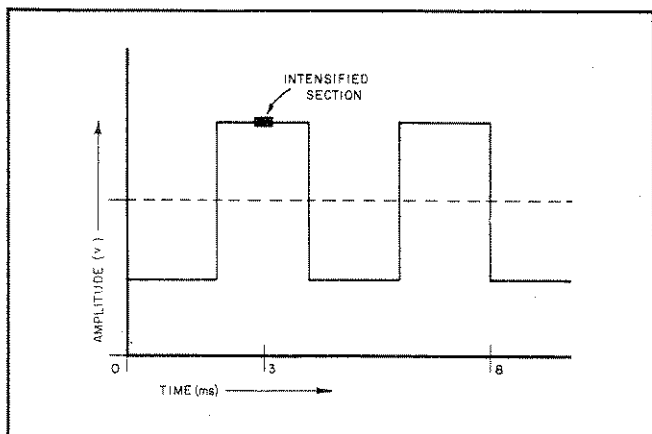


Figure 3-3. Intensified Waveform.

3-55. Delay Generator.

3-56. The 3437A can be programmed to delay an external trigger from 0 to .9999999 sec in 100 ns steps.

Example:

- a. Connect the equipment as illustrated in Figure 3-4.

- b. Program the 3437A keyboard as follows:

```

DELAY . . . . . 800 ns
NRDGS . . . . . 0
RANGE . . . . . -
TRIGGER . . . . . EXT
    
```

- c. Set the 3310A controls as follows:

```

FUNCTION . . . . . SQ
RANGE . . . . . 100
DIAL . . . . . 10
DC OFFSET . . . . . OFF
OUTPUT
LEVEL . . . . . MINIMUM
    
```

- d. Set the oscilloscope controls as follows:

```

TIME/DIV . . . . . 100 μs
VOLTS/DIV (A/B) . . . . . 5/DC
TRIGGER . . . . . EXTERNAL
    
```

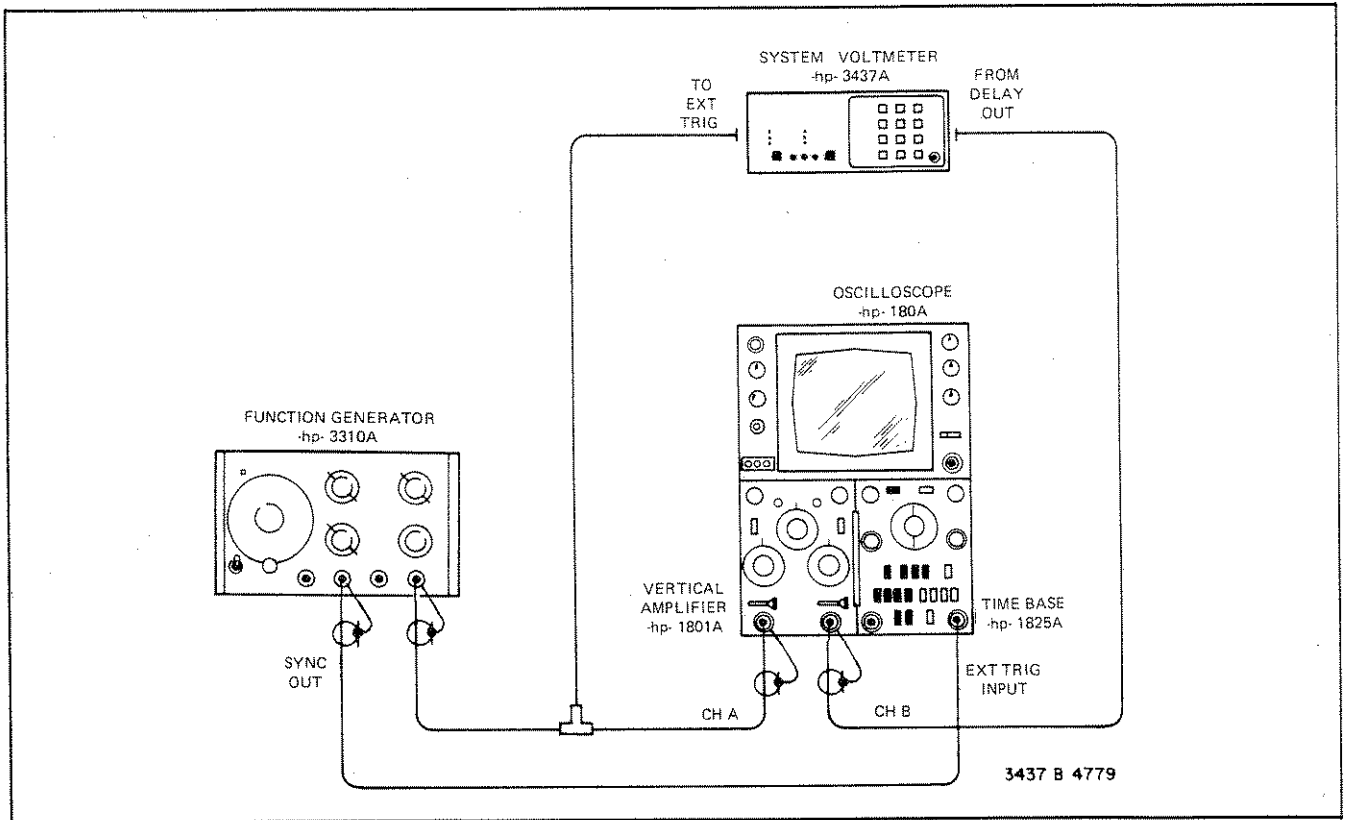



Figure 3-4. Delay Generator.

e. Adjust the 3310A output level and oscilloscope trigger level to obtain a display as illustrated in Figure 3-5. (Assure that the 3310A output is of sufficient amplitude to trigger the 3437A.)

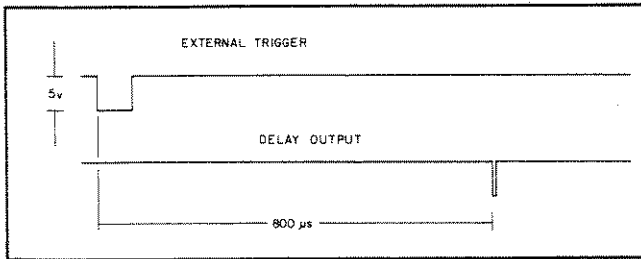


Figure 3-5. Delayed Output.

3-57. Trigger Generator.

3-58. The 3437A can be programmed to function as a trigger generator or as a burst trigger generator (up to 9999 triggers per burst).

3-59. Trigger Generator. Program the 3437A keyboard as follows:

```

DELAY.....0
NRDGS.....1
TRIGGER.....INT
    
```

a. The Delay out waveform is illustrated in Figure 3-6.

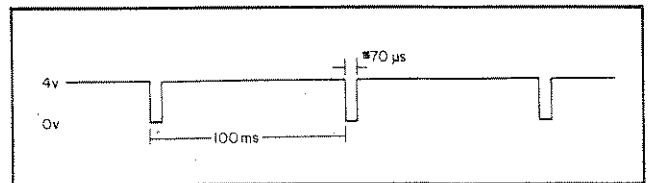


Figure 3-6. Delay Out Waveform.

b. The 3437A Delay can be programmed from 0 to .9999999 second (100 ns step) to provide continuous triggers at rates from 10 Hz to 1 Hz.

3-60. Burst Trigger Generator. Program the 3437A keyboard as follows:

```

DELAY..... 500 μs
NRDGS..... 5000
TRIGGER..... EXT/INT
    
```

a. For each trigger received, the 3437A will generate a burst of triggers (5000) at a 2000 Hz (1/500 μs) rate (Figure 3-7). Maximum Rate = 9 kHz.

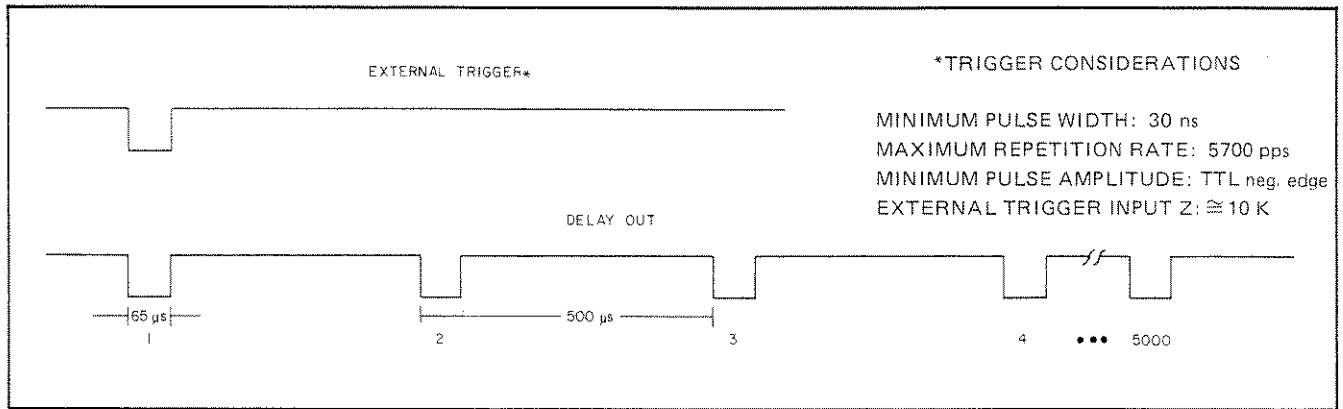


Figure 3-7. Burst Mode Delay Out.

3-61. System Measurements.

Systems Applications include:

- Waveform Analysis
 - Harmonic Content
 - Amplitude Characteristics

- Low Frequency True RMS Measurements
- Transient Characterization

- ANGOLA**
Teleca
Empresa Técnica de Equipamentos Eléctricos, S.A.R.L.
R. Barbosa Rodrigues, 41-J*DT*
Caixa Postal, 6487
Luanda
Tel: 35515/6
- ARGENTINA**
Hewlett-Packard Argentina S.A.
Santa Fe 2035, Martínez
6140 Buenos Aires
Tel: 792-1239, 798-6086
Telex: 122443 AR OGY
Biotron S.A.C.I.y M.
Avda. Paseo Colon 221
9º pno
1399 Buenos Aires
Tel: 30-4848/1851/8364
34-9356/0480/4551
Telex: (33) 17595 BIO AR
- AUSTRALIA**
AUSTRALIA CAPITAL TERR.
Hewlett-Packard Australia Pty. Ltd.
121 Wollongong Street
Fyshwick, 2609
Tel: 804244
Telex: 62850
- NEW SOUTH WALES**
Hewlett-Packard Australia Pty. Ltd.
31 Bridge Street
Pymble, 2073
Tel: 4496566
Telex: 21561
- QUEENSLAND**
Hewlett-Packard Australia Pty. Ltd.
5th Floor
Teachers Union Building
495-499 Boundary Street
Spring Hill, 4000
Tel: 2291544
- SOUTH AUSTRALIA**
Hewlett-Packard Australia Pty. Ltd.
153 Greenhill Road
Parkside, 5063
Tel: 2725911
Telex: 82536
- VICTORIA**
Hewlett-Packard Australia Pty. Ltd.
31-41 Joseph Street
Blackburn, 3130
Tel: 89-6351
Telex: 31024 MELB
- WESTERN AUSTRALIA**
Hewlett-Packard Australia Pty. Ltd.
141 Stirling Highway
Nedlands, 6009
Tel: 3865455
Telex: 93859
- AUSTRIA**
Hewlett-Packard Ges.m.b.H.
Wehlstrasse 29
P.O. Box 7
A-1205 Vienna
Tel: 35-16-21-0
Telex: 13582/135066
Hewlett-Packard Ges.m.b.H.
Wehlstrasse, 29
A-1205 Wien
Tel: 35-16-21
Telex: 135066
- BAHRAIN**
Medical Only
Wael Pharmacy
P.O. Box 648
Bahrain
Tel: 54886, 56123
Telex: 8550 WAEL GJ
Al Hamdiya Trading and Contracting
P.O. Box 20074
Manama
Tel: 259978, 259958
Telex: 8895 KALIDA GJ
- BANGLADESH**
The General Electric Co. of Bangladesh Ltd.
Maghni House 72
Dhaka Commercial Area
Moliheli, Dacca 2
Tel: 252415, 252419
Telex: 734
- BELGIUM**
Hewlett-Packard Bénéux S.A./N.V.
Avenue du Col-Vert, 1,
(Greenknaglaan)
B-1170 Brussels
Tel: (02) 860 50 50
Telex: 23-494 paoben br
- BRAZIL**
Hewlett-Packard do Brasil
L.E.C. Ltda.
Alameda Rio Negro, 750
Alphaville
06400 Barueri SP
Tel: 429-3222
Hewlett-Packard do Brasil
L.E.C. Ltda.
Rua Padre Chapas, 32
90000-Pórtio Alegre-RS
Tel: 22-2998, 22-5621
Hewlett-Packard do Brasil
L.E.C. Ltda.
Av. Eptácio Pessoa, 4864
22471-Rio de Janeiro-RJ
Tel: 286-0237
Telex: 021-21905 HPBR-BR
- CANADA**
ALBERTA
Hewlett-Packard (Canada) Ltd.
11620A - 168th Street
Edmonton T5M 3T9
Tel: (403) 452-3670
Telex: 610-831-2431
- BRITISH COLUMBIA**
Hewlett-Packard (Canada) Ltd.
10691 Shebridge Way
Richmond V6X 2W7
Tel: (604) 270-2277
Telex: 610-925-5059
- MANITOBA**
Hewlett-Packard (Canada) Ltd.
380-550 Century St.
St. James,
Winnipeg R3H 0Y1
Tel: (204) 786-6701
Telex: 610-671-3531
- NOVA SCOTIA**
Hewlett-Packard (Canada) Ltd.
P.O. Box 931
800 Windmill Road
Dartmouth B3B 1L1
Tel: (902) 468-7820
Telex: 610-271-4482
- ONTARIO**
Hewlett-Packard (Canada) Ltd.
1020 Morrison Dr.
Ottawa K2H 8K7
Tel: (613) 820-6483
Telex: 610-563-1636
Hewlett-Packard (Canada) Ltd.
6877 Goreway Drive
Mississauga L4Y 1M8
Tel: (416) 678-9430
Telex: 610-492-4246
- QUEBEC**
Hewlett-Packard (Canada) Ltd.
275 Hymus Blvd.
Pointe Claire H9R 1G7
Tel: (514) 697-4232
Telex: 610-422-3022
- FOR CANADIAN AREAS NOT LISTED:**
Contact Hewlett-Packard (Canada) Ltd. in Mississauga.
- CHILE**
Jorge Calcagni y Cia. Ltda.
Arturo Burtile 065
Casilla 16475
Correo 9, Santiago
Tel: 220222
Telex: JCALCAGH
- COLOMBIA**
Instrumentación
Henrik A. Langebaek & Kier S.A.
Carrera 7 No. 48-75
Apartado Aéreo 6287
Bogotá, 1 D.E.
Tel: 269-8877
Telex: 44400
Instrumentación
H.A. Langebaek & Kier S.A.
Carrera 63 No. 49-A-31
Apartado 54098
Medellín
Tel: 304475
- COSTA RICA**
Clintifica Costarricense S.A.
Avenida 2, Calle 5
San Pedro de Montes de Oca
Apartado 10159
San José
Tel: 24-38-20, 24-08-19
Telex: 2367 GALGUR CR
- CYPRUS**
Kypronos
19 Georgios Xenopoulos
Street
P.O. Box 1152
Nicosia
Tel: 45828/29
Telex: 30318
- CZECHOSLOVAKIA**
Hewlett-Packard
Obchodní zastupitelství v CSSR
Plesmý slyk
Pošt. schránka 27
CS 118 01 Praha 011
CSSR
Vývojeva a Provozni Zakladna
Výzkumných Ústavů v
Bechovicích
CSSR-25097 Bechovice u
Prahy
Tel: 89 93 41
Telex: 12133
Institute of Medical Bionics
Vyskumný Ústav Lékařské
Bioniky
Jedlova 6
CS-68346 Bratislava-
Kramere
Tel: 44-551
Tel: (403) 253-2713
Telex: 93229
- DENMARK**
Hewlett-Packard A/S
Dalavej 52
DK-3460 Birkerød
Tel: (02) 81 86 40
Telex: 37409 npas dk
Hewlett-Packard A/S
Navervej 1
DK-8600 Silkeborg
Tel: (06) 82 71 66
Telex: 37409 npas dk
- ECUADOR**
CYEDE Cia. Ltda.
P.O. Box 6423 CCI
Av. Eloy Alfaro 1749
Quito
Tel: 450-975, 243-052
Telex: 2548 CYEDE ED
Medical Only
Hospital S.A.
Casilla 2590
Robles 625
Quito
Tel: 545-250
- EGYPT**
I.E.A.
International Engineering Associates
24 Hussein Nagazi Street
Kasr-el-Ani
Cairo
Tel: 23 829
Telex: 93830
- SAMTRO**
Sami Amin Trading Office
18 Abdel Aziz Gawish
Abdine-Cairo
Tel: 24932
- EL SALVADOR**
Bulevar de los Heroes 11-48
Edificio Sarah 1148
San Salvador
Tel: 252787
- ETHIOPIA**
Abdelia Abdulmaik
P.O. Box 2635
Addis Ababa
Tel: 11 93 40
- FINLAND**
Hewlett-Packard Oy
Reventankien 7
SF-02100 Espoo 10
Tel: (90) 455 0211
Telex: 121563 hewpa fi
- FRANCE**
Hewlett-Packard France
Zone d'activités de
Courtabœuf
Carrera 7 No. 48-75
Apartado Aéreo 6287
Bogotá, 1 D.E.
Tel: 269-8877
Telex: 44400
Instrumentación
H.A. Langebaek & Kier S.A.
Carrera 63 No. 49-A-31
Apartado 54098
Medellín
Tel: 304475
- HONG KONG**
Hewlett-Packard France
Le Ligures
Place Romée de Vienneve
13100 Aix-en-Provence
Tel: (42) 59 41 02
Telex: 410770F
- HONG KONG**
Hewlett-Packard France
2, Allée de la Bourgonette
35100 Rennes
Tel: (99) 51 42 44
Telex: 740912F
- HONG KONG**
Hewlett-Packard France
18, rue du Canal de la Marne
67300 Schiltigheim
Tel: (88) 83 08 10
Telex: 890141F
- HONG KONG**
Hewlett-Packard Hong Kong Ltd.
11th Floor, Four Seas Bldg.
212 Nathan Rd.
Kowloon
Tel: 3-697446 (5 lines)
Telex: 36878 NX
Medical/Analytical Only
Schmidt & Co. (Hong Kong)
Ltd.
Wing On Centre, 28th Floor
Connaught Road, C.
Hong Kong
Tel: 5-455644
Telex: 74766 SHAMX HX
- INDIA**
Blue Star Ltd.
Sahar
414/2 Vr. Savarkar Marg
Prabhadevi
Bombay 400 025
Tel: 45 78 87
Telex: 011-4093
Blue Star Ltd.
Band Box House
Prabhadevi
Bombay 400 025
Tel: 45 73 01
Telex: 011-3751
Blue Star Ltd.
Bhavesh
Stadium Road
Ahmedabad 380 014
Tel: 43922
Telex: 012-234
Blue Star Ltd.
7 Hal Street
Calcutta 700 001
Tel: 23-0131
Telex: 921-7655
Blue Star Ltd.
Bhikari Bouse
91 Nehru Road
New Delhi 110 024
Tel: 882547
Telex: 031-2463
Blue Star Ltd.
T.C. 7/603 'Poonima'
Mandir
Trivendrum 695 013
Tel: 65799
Telex: 0884-259
Blue Star Ltd.
11 Magarath Road
Bangalore 560 025
Tel: 55689
Telex: 0885-430
Blue Star Ltd.
Measakhi Mandiram
XXXXX/1379-2 Mahalaxmi
Gandhi Rd.
Cochin 682 016
Tel: 32069
Telex: 085-514
Blue Star Ltd.
1-1-1171 Sarojini Devi Road
Secunderabad 500 033
Tel: 70126
Telex: 0155-459
Blue Star Ltd.
133 Kodambakkam High Road
Madras 500 034
Tel: 82057
Telex: 041-379
- ICELAND**
Medical Only
Elding Trading Company Inc.
Halnarvöll - Tryggvagötu
P.O. Box 895
IS-Reykjavik
Tel: (030) 24 90 8F
Telex: 018 3405 hpbin d
- INDONESIA**
BERCA Indonesia P.T.
Jln. Abdul Muis 62
Jakarta
Tel: 349255, 349886
Telex: 46748 BERSIL IA
- IRLAND**
Hewlett-Packard Ltd.
Kestrel House
Clanwilliam Place
Lower Mount Street
Dublin 2, Ere
Hewlett-Packard Ltd.
2C Avonberg ind. Est.
Long Mae Road
Dublin 12
Tel: 514322/514224
Telex: 30439
Medical Only
Cardiac Services (Ireland) Ltd.
Kimore Road
Arlane
Dublin 5, Ere
Tel: (01) 315820
Medical Only
Cardiac Services Co.
95A Finaghy Rd. South
Belfast BT 10 0BY
GB-Northern Ireland
Tel: (0232) 825566
Telex: 747826
- ISRAEL**
Electronics Engineering Div.
of Motorola Israel Ltd.
16, Kremenetski Street
P.O. Box 25016
Nairobi Airport
Nairobi
Tel: 38973
Telex: 33569, 34164
- ITALY**
Hewlett-Packard Italiana S.p.A.
Via G. Di Vittorio, 9
20063 Carnusco Sul
Naviglio (MI)
Tel: (2) 903691
Telex: 334632 HEWPACIT
Hewlett-Packard Italiana S.p.A.
Via Turazza, 14
35100 Padova
Tel: (49) 664888
Telex: 430315 HEWPACI
Hewlett-Packard Italiana S.p.A.
Via G. Armeñini 10
1-00143 Roma
Tel: (06) 54 69 61
Telex: 610514
Hewlett-Packard Italiana S.p.A.
Corso Giovanni Lanza 94
I-10133 Torino
Tel: (011) 659308
Telex: 221079
Hewlett-Packard Italiana S.p.A.
Via Principe Nicola 43 G/C
I-95126 Catania
Tel: (095) 37 05 04
Telex: 970291
Hewlett-Packard Italiana S.p.A.
Via Nuova san Rocco A
Capadimonte, 82A
80131 Napoli
Tel: (081) 710698
Hewlett-Packard Italiana S.p.A.
Via Martin Luther King, 38/111
I-40132 Bologna
Tel: (051) 402394
Telex: 511630
- JAPAN**
Yokogawa-Hewlett-Packard Ltd.
29-21, Takaido-Higashi
3-chome
Suginami-ku, Tokyo 168
Tel: 03-331-6111
Telex: 232-2024 YHP-Tokyo
Yokogawa-Hewlett-Packard Ltd.
Chuo Bldg., 4th Floor
4-20, Nishinakajima 5-chome
Yodogawa-ku, Osaka-shi
Osaka, 532
Tel: 06-304-6021
Telex: 523-3624
Yokogawa-Hewlett-Packard Ltd.
Sunimoto Seimei Nagaya Bldg.
11-2 Shimosasajima-cho.
Nakamura-ku, Nagoya, 450
Tel: 052 571-5171
Yokogawa-Hewlett-Packard Ltd.
Tangwaya Building
2-24-1 Tsutsumi-cho
Kanagawa-ku
Yokohama, 221
Tel: 045-312-1252
Telex: 382-3204 YHP YOK
- BERCA Indonesia P.T.**
P.O. Box 174/Soy.
23 Jln. Ameno
Surabaya
Tel: 42027
- IRELAND**
Hewlett-Packard Ltd.
Kestrel House
Clanwilliam Place
Lower Mount Street
Dublin 2, Ere
Hewlett-Packard Ltd.
2C Avonberg ind. Est.
Long Mae Road
Dublin 12
Tel: 514322/514224
Telex: 30439
Medical Only
Cardiac Services (Ireland) Ltd.
Kimore Road
Arlane
Dublin 5, Ere
Tel: (01) 315820
Medical Only
Cardiac Services Co.
95A Finaghy Rd. South
Belfast BT 10 0BY
GB-Northern Ireland
Tel: (0232) 825566
Telex: 747826
- ISRAEL**
Electronics Engineering Div.
of Motorola Israel Ltd.
16, Kremenetski Street
P.O. Box 25016
Nairobi Airport
Nairobi
Tel: 38973
Telex: 33569, 34164
- ITALY**
Hewlett-Packard Italiana S.p.A.
Via G. Di Vittorio, 9
20063 Carnusco Sul
Naviglio (MI)
Tel: (2) 903691
Telex: 334632 HEWPACIT
Hewlett-Packard Italiana S.p.A.
Via Turazza, 14
35100 Padova
Tel: (49) 664888
Telex: 430315 HEWPACI
Hewlett-Packard Italiana S.p.A.
Via G. Armeñini 10
1-00143 Roma
Tel: (06) 54 69 61
Telex: 610514
Hewlett-Packard Italiana S.p.A.
Corso Giovanni Lanza 94
I-10133 Torino
Tel: (011) 659308
Telex: 221079
Hewlett-Packard Italiana S.p.A.
Via Principe Nicola 43 G/C
I-95126 Catania
Tel: (095) 37 05 04
Telex: 970291
Hewlett-Packard Italiana S.p.A.
Via Nuova san Rocco A
Capadimonte, 82A
80131 Napoli
Tel: (081) 710698
Hewlett-Packard Italiana S.p.A.
Via Martin Luther King, 38/111
I-40132 Bologna
Tel: (051) 402394
Telex: 511630
- JAPAN**
Yokogawa-Hewlett-Packard Ltd.
29-21, Takaido-Higashi
3-chome
Suginami-ku, Tokyo 168
Tel: 03-331-6111
Telex: 232-2024 YHP-Tokyo
Yokogawa-Hewlett-Packard Ltd.
Chuo Bldg., 4th Floor
4-20, Nishinakajima 5-chome
Yodogawa-ku, Osaka-shi
Osaka, 532
Tel: 06-304-6021
Telex: 523-3624
Yokogawa-Hewlett-Packard Ltd.
Sunimoto Seimei Nagaya Bldg.
11-2 Shimosasajima-cho.
Nakamura-ku, Nagoya, 450
Tel: 052 571-5171
Yokogawa-Hewlett-Packard Ltd.
Tangwaya Building
2-24-1 Tsutsumi-cho
Kanagawa-ku
Yokohama, 221
Tel: 045-312-1252
Telex: 382-3204 YHP YOK
- Yokogawa-Hewlett-Packard Ltd.**
Mito Mitsui Building
105, 1-chome, San-no-maru
Mito, Ibaragi 310
Tel: 0292-25-7470
Yokogawa-Hewlett-Packard Ltd.
Inoue Building
1348-3, Asahi-cho, 1-chome
Atsugi, Kanagawa 243
Tel: 0462-24-0452
Yokogawa-Hewlett-Packard Ltd.
Kumagaya Asahi
Hachiyuri Building
4th Floor
3-4, Tsukuba
Kumagaya, Satama 380
Tel: 0485-24-6563
- JORDAN**
Mousharf Cousins Co.
P.O. Box 1387
Amman
Tel: 24907/29907
Telex: SABC JO 1456
- KENYA**
ADCOM Ltd., Inc.
P.O. Box 30070
Nairobi
Tel: 331955
Telex: 22639
Medical Only
International Aeradio (E.A.) Ltd.
P.O. Box 19012
Nairobi Airport
Nairobi
Tel: 336055/56
Telex: 222011/223011
Medical Only
International Aeradio (E.A.) Ltd.
P.O. Box 95221
Mombasa
Tel: (2) 903691
Telex: 334632 HEWPACIT
Hewlett-Packard Italiana S.p.A.
Via Turazza, 14
35100 Padova
Tel: (49) 664888
Telex: 430315 HEWPACI
Hewlett-Packard Italiana S.p.A.
Via G. Armeñini 10
1-00143 Roma
Tel: (06) 54 69 61
Telex: 610514
Hewlett-Packard Italiana S.p.A.
Corso Giovanni Lanza 94
I-10133 Torino
Tel: (011) 659308
Telex: 221079
Hewlett-Packard Italiana S.p.A.
Via Principe Nicola 43 G/C
I-95126 Catania
Tel: (095) 37 05 04
Telex: 970291
Hewlett-Packard Italiana S.p.A.
Via Nuova san Rocco A
Capadimonte, 82A
80131 Napoli
Tel: (081) 710698
Hewlett-Packard Italiana S.p.A.
Via Martin Luther King, 38/111
I-40132 Bologna
Tel: (051) 402394
Telex: 511630
- AL-Khaldia Trading & Contracting**
P.O. Box 830-Salat
Kuwait
Tel: 42 4910/41 1726
Telex: 2481 Areeq ki
Kuwait
Tel: 42 4910/41 1726
Telex: 2481 Areeq ki
- LUXEMBOURG**
Hewlett-Packard Bénéux S.A./N.V.
Avenue du Col-Vert, 1
(Greenknaglaan)
B-1170 Brussels
Tel: (02) 660 5050
Telex: 23 494
- MALAYSIA**
Hewlett-Packard Sales (Malaysia) Sdn. Bhd.
Suite 2.21/2.22
Bangunan Angkasa Raya
Jalan Ampang
Kuala Lumpur
Tel: 483686, 485663
Protel Engineering
P.O. Box 1917
Lot 259, Satok Road
Kuching, Sarawak
Tel: 53544
- MEXICO**
Hewlett-Packard Mexicana, S.A. de C.V.
Av. Periférico Sur No. 6501
Tepepan, Xochimilco
Mexico 23, D.F.
Tel: 905-676-4600
Telex: 017-74-507
Hewlett-Packard Mexicana, S.A. de C.V.
Rio Volga #600
Col. Del Valle
Monterrey, N.L.
Tel: 78-32-10
- MOROCCO**
Dolbeau
81 rue Karachi
Casablanca
Tel: 304182
Telex: 23051/22822
Gerep
2, rue d'Agadir
Boite Postale 156
Casablanca
Tel: 272093/5
Telex: 23 739
- MOZAMBIQUE**
A.N. Goncalves, Ltd.
162, 1ª Apt. 14 Av. D. Luns
Cama Postal 107
Maputo
Tel: 27091, 27114
Telex: 6-203 NEGON Mo
Lid.
- NETHERLANDS**
Hewlett-Packard Bénéux N.V.
Van Heuven Goedhartlaan 121
P.O. Box 667
1181KX Amstelveen
Tel: (20) 47 20 21
Telex: 13 216
- NEW ZEALAND**
Hewlett-Packard (N.Z.) Ltd.
4-12 Cruckshank Street
Kilburne, Wellington 3
P.O. Box 9443
Courney Place
Wellington
Tel: 877-199
Hewlett-Packard (N.Z.) Ltd.
P.O. Box 26-189
169 Manukau Road
Epsom, Auckland
Tel: 687-159
Analytical/Medical Only
Northrop Instruments & Systems Ltd.
Studee House
85-87 Gruznee Street
P.O. Box 2406
Wellington
Tel: 850-091
Telex: NZ 31291
Northrop Instruments & Systems Ltd.
Eden House, 44 Khyber Pass
Rd.
P.O. Box 9682, Newmarket
Auckland 1
Tel: 794-091
Northrop Instruments & Systems Ltd.
Terrace House, 4 Oxford
Terrace
P.O. Box 8388
Christchurch
Tel: 64-165
- NIGERIA**
The Electronics Instrumentations Ltd.
N68/770 Oyo Road
Obesere House
P.M.B. 5402
Ibadan
Tel: 461577
Telex: 31231 TEL NG
The Electronics Instrumentations Ltd.
144 Agape Motor Road, Mushin
P.O. Box 481
Mushin, Lagos
NORWAY
Hewlett-Packard Norge A/S
Osloveien 18
P.O. Box 34
1345 Osterass
Tel: (02) 1711 80
Telex: 166211 npas n
- Hewlett-Packard Norge A/S**
Nygardsgaten 114
P.O. Box 4210
5013 Nygaardsgaten,
Bergen
Tel: (05) 21 97 33
- PANAMA**
Electronica Balboa, S.A.
Aparato 4929
Panama 5
Calle Samuel Lewis
Edificio "Alfa", No. 2
Ciudad de Panama
Tel: 64-2700
Telex: 3483103 Curundu,
Canal Zone
- PERU**
Compañía Electro Médica S.A.
Los Flamencos 145
San Isidro Casilla 1030
Lima 1
Tel: 41-4325
Tel: Pub. Booth 25424
SSIDRO
- PAKISTAN**
Musko & Company Ltd.
Cosman Chambers
Abulrah Haroon Road
Karachi-3
Tel: 511027, 512927
Telex: 2894



SALES OFFICES

Arranged alphabetically by country (cont.)

Musko & Company, Ltd
10, Bazer Rd
Sector G-6/4
Islamabad
Tel: 28264

PHILIPPINES
The Online Advanced Systems
Corporation
Rico House
Amaroso cor. Herrera St
Legaspi Village, Makati
P.O. Box 15 10
Metro Manila
Tel: 85-35-81, 85-34-91,
85-32-21
Telex: 3274 ONLINE

RHODESIA
Field Technical Sales
45 Kelvin Road North
P.O. Box 3458
Salisbury
Tel: 705231 (5 lines)
Telex: RH 4122

POLAND
Biuro Informacji Technicznej
Hewlett-Packard
Ul Stawki 2, 6P
P.O. Box 950
Warszawa
Tel: 39 59 52, 39 51 87
Telex: 81 24 53

PORTUGAL
Telecra-Empresa Técnica de
Equipamentos Eléctricos
S.A., I.
Rua Rodrigo da Fonseca 103
P.O. Box 2531
Lisboa
Tel: 119 68 60 72
Telex: 12596

Medical Only
Mundiner
Intercambio Mundial de
Comercio S.A.I.
P.O. Box 2761
Avenida Antonio Augusto
de Aguiar 138
Lisbon
Tel: 119 53 21 31/7
Telex: 16691 munter p

PUERTO RICO
Hewlett-Packard Inter-
Americas
Puerto Rico Branch Office
Call 272,
#203 Urb. Country Club
Carolina 00630
Tel: (809) 762-7255
Telex: 345 0514

QATAR
Nasser Trading & Contracting
P.O. Box 1563
Doha
Tel: 22170
Telex: 4439 NASSER

ROMANIA
Hewlett-Packard
Reprezentanta
Bd. N. Balcescu 16
Bucuresti
Tel: 15 80 23/13 88 85
Telex: 10440

SAUDI ARABIA
Modern Electronic
Establishment (Head Office)
P.O. Box 1228, Baghdadiah
Street
Jeddah
Tel: 27 798
Telex: 40035
Cable: ELECTA JEDDAH
Modern Electronic
Establishment (Branch)
P.O. Box 2728
Riyadh
Tel: 62596/66232
Telex: 202049

Modern Electronic
Establishment (Branch)
P.O. Box 193
Al-Khobar
Tel: 44678-44813
Telex: 670 136
Cable: ELECTA AL-KHOBAR
SINGAPORE
Hewlett-Packard Singapore
(Pte.) Ltd.
6th Floor, Inchcape House
450-452 Alexandra Road
P.O. Box 56
Alexandra Post Office
Singapore 9115
Tel: 631788
Telex: HPSG RS 21486

SOUTH AFRICA
Hewlett-Packard South Africa
(Pty.) Ltd.
Private Bag Wendywood,
Sandton, Transvaal, 2144
Hewlett-Packard Centre
Daphne Street, Wendywood,
Sandton, 2144
Tel: 802-5111/25
Telex: 8-4782
Hewlett-Packard South Africa
(Pty.) Ltd.
Place Azme
Howard Place,
Cape Province, 7450
Pine Park Centre, Forest Drive,
Pinelands,
Cape Province, 7405
Tel: 53-7955 thru 9
Telex: 57-0006

SPAIN
Hewlett-Packard Española,
S.A.
Calle Jerez 3
E-Madrid 16
Tel: (1) 458 26 00 (10 lines)
Telex: 235 15 tpe
Hewlett-Packard Española S.A.
Colonia Miraseta
Edificio Juban
c/o Costa Brava, 13
E-Madrid 34
Hewlett-Packard Española,
S.A.
Manisesno 21-23
E-Barcelona 17
Tel: (3) 203 6200 (5 lines)
Telex: 52803 hpbpe e
Hewlett-Packard Española,
S.A.
Av Ramón y Cajal, 1
Edificio Sevilla, planta 9°
E-Sevilla 5
Tel: 64 44 54/58
Hewlett-Packard Española S.A.
Edificio Albia 7° B
E-Bilbao 1
Tel: 23 83 06/23 82 06
Hewlett-Packard Española S.A.
C/Ramon Gordio 1
E-Valencia 10
Tel: 96-361.13.54/361.13.58

SRI LANKA
Metropolitan Agencies Ltd.
209/9 Union Place
Bangchak, Bangkok
Colombo 2
Tel: 35947
Telex: 1377METROLD CE

SUDAN
Radison Trade
P.O. Box 921
Khartoum
Tel: 44048
Telex: 375

SWEDEN
Hewlett-Packard Sverige AB
Enighetsvågen 3, Fack
S-161 Bromma 29
Tel: (08) 730 05 50
Telex: 10721
Cable: MEASUREMENTS
Stockholm
Hewlett-Packard Sverige AB
Friballsplan 30
S-421 32 Västra
Frölunda
Tel: (031) 49 09 50
Telex: 10721 via Bromma
office

SWITZERLAND
Hewlett-Packard (Schweiz) AG
Zürcherstrasse 20
P.O. Box 307
CH-8952 Schlieren-
Zürich
Tel: (01) 7305240
Telex: 53933 hpag ch
Cable: HPAG CH
Hewlett-Packard (Schweiz) AG
Châleau Blanc 19
CH-1219 Le Lignon-
Geneva
Tel: (022) 96 03 22
Telex: 27333 hpag ch
Cable: HEWPACKAG Geneva

SYRIA
General Electronic Inc.
Nuri Basha-Ahmad Ebn Kays
Street
P.O. Box 5781
Damascus
Tel: 33 24 87
Telex: 11215 ITIKAL
Cable: ELECTROBOR
DAMASCUS
Medical Only
Sawah & Co.
Place Azme
B.P. 2308
Damascus
Tel: 16 367-19 697-14 268
Telex: 11304 SATACO SY
Cable: SAWAH, DAMASCUS
Suzaim Hail El Maw
P.O. Box 2528
Mamoun Bilal Street, 56-58
Damascus
Tel: 11 46 63
Telex: 11270
Cable: HREAL DAMASCUS

TAIWAN
Hewlett-Packard Far East Ltd.
Taiwan Branch
Bank Tower, 5th Floor
205 Tun Hsu North Road
Taipei
Tel: (02) 751-0404 (15 lines)
Hewlett-Packard Far East Ltd.
Taiwan Branch
68-2, Chung Cheng 3rd Road,
West Kaohsiung
Tel: (07) 2423 18-Kaonsung
Telex: (203) 101 5221
Telex: 339 105
Analytical Only
San Kwang Instruments Co.,
Ltd
20 Yung Sui Road
Taipei
Tel: 3615446-9 (4 lines)
Telex: 22894 SANKWANG

TANZANIA
Medical Only
International Aeradio (E.A.), Ltd.
P.O. Box 861
Dar es Salaam
Tel: 21251 Ext. 265
Telex: 41030
THAILAND
UNIMESA Co. Ltd.
Elcom Research Building
2538 Sukumvit Ave.
Bangchak, Bangkok
Colombo 2
Tel: 39-32-387, 39-30-338

TRINIDAD & TOBAGO
CARTEL
Caribbean Telecoms Ltd.
P.O. Box 921
Khartoum
Tel: 44048
Telex: 375

TUNISIA
Tunisie Electronique
31 Avenue de la Liberté
Tunis
Tel: 280 144
Corema
1er. Av. de Carthage
Tunis
Tel: 253 821
Telex: 12319 CABAM TN
TURKEY
TEKNM Company Ltd.
Riza Sah Pehlivi
Caddesi No. 7
Kavaklıdere, Ankara
Tel: (205) 881-4591
Telex: 10721
Cable: MEASUREMENTS
Stockholm
Hewlett-Packard Sverige AB
Friballsplan 30
S-421 32 Västra
Frölunda
Tel: (031) 49 09 50
Telex: 10721 via Bromma
office

UNITED STATES
EMIRATES
Emirat Ltd. (Head Office)
P.O. Box 1641
Sharjah
Tel: 354121/3
Telex: 8136

Emirat Ltd. (Branch Office)
P.O. Box 27 11
Abu Dhabi
Tel: 331370/1

UNITED KINGDOM
Hewlett-Packard Ltd.
King Street Lane
Winnaher, Wokingham
Berkshire RG11 5AR
GB-England
Tel: (0734) 764774
Telex: 84 71 78/9
Hewlett-Packard Ltd.
Foucher House,
257-263 High Street
London Colney,
St. Albans, Herts
GB-England
Tel: (0727) 24400
Telex: 1-8952716
Hewlett-Packard Ltd.
Trafalgar House
Navigation Road
Aldrich
Cheshire WA14 1NU
GB-England
Tel: (061) 928 6422
Telex: 668068
Hewlett-Packard Ltd.
Lygon Court
Hereford Rise
Dudley Road
Halesowen,
West Midlands, B62 8SD
GB-England
Tel: (021) 501 1221
Telex: 339 105
Analytical Only
San Kwang Instruments Co.,
Ltd
20 Yung Sui Road
Taipei
Tel: 3615446-9 (4 lines)
Telex: 22894 SANKWANG

TANZANIA
Medical Only
International Aeradio (E.A.), Ltd.
P.O. Box 861
Dar es Salaam
Tel: 21251 Ext. 265
Telex: 41030

THAILAND
UNIMESA Co. Ltd.
Elcom Research Building
2538 Sukumvit Ave.
Bangchak, Bangkok
Colombo 2
Tel: 39-32-387, 39-30-338

TUNISIA
Tunisie Electronique
31 Avenue de la Liberté
Tunis
Tel: 280 144
Corema
1er. Av. de Carthage
Tunis
Tel: 253 821
Telex: 12319 CABAM TN

TURKEY
TEKNM Company Ltd.
Riza Sah Pehlivi
Caddesi No. 7
Kavaklıdere, Ankara
Tel: (205) 881-4591
Telex: 10721
Cable: MEASUREMENTS
Stockholm
Hewlett-Packard Sverige AB
Friballsplan 30
S-421 32 Västra
Frölunda
Tel: (031) 49 09 50
Telex: 10721 via Bromma
office

UNITED STATES
ALABAMA
700 Century Park, South,
Suite 128
Birmingham 35226
Tel: (205) 822-6802
P.O. Box 4207
8290 Whitesburg Dr.
Huntsville 35802
Tel: (205) 881-4591
ARIZONA
2336 E. Magnolia St.
Phoenix 85034
Tel: (602) 273-8000
2424 East Aragon Rd.
Tucson 85706
Tel: (602) 273-8000

ARKANSAS
Medical Service Only
P.O. Box 5946
Brady Station
Little Rock 72215
Tel: (501) 376-1844
CALIFORNIA
1579 W. Shaw Ave.
Fresno 93771
Tel: (209) 224-0582
1430 East Orangelhorpe Ave.
Fullerton 92631
Tel: (714) 870-1000
5400 West Rosecrans Blvd.
P.O. Box 92105
World Way Postal Center
Los Angeles 90009
Tel: (213) 970-7500
Telex: 910-325-6608

CONNECTICUT
47 Barnes Industrial Road
Barnes Park South
Wallingford 06492
Tel: (203) 265-7801
FLORIDA
P.O. Box 24210
2727 N.W. 22nd Street
Ft. Lauderdale 33309
Tel: (305) 973-2600
4080 Woodcock Drive # 132
Brown Building
Jacksonville 32207
Tel: (904) 998-0663
P.O. Box 13910
6177 Lake Ellenor Dr.
Orlando 32809
Tel: (305) 859-2900
P.O. Box 12826
Suite 5, Bldg. 1
Office Park North
Pensacola 32575
Tel: (904) 476-8422
110 South Hoover Blvd
Tampa 33609
Tel: (813) 872-0900

GEORGIA
P.O. Box 105005
450 Interstate North Parkway
Atlanta 30348
Tel: (404) 955-1500
Telex: 110-766-4899
Medical Service Only
"Augusta 30903
Tel: (404) 736-0692
P.O. Box 2103
1172 N. Davis Drive
Warner Robins 31098
Tel: (912) 922-0449

HAWAII
2875 So. King Street
Honolulu 96826
Tel: (808) 955-4555
ILLINOIS
211 Prospect Rd.
Bloomington 61701
Tel: (309) 663-0383
5201 Tolliver Dr.
Rolling Meadows 60008
Tel: (312) 255-9800
Telex: 910-687-2280

INDIANA
7301 North Shadeland Ave.
Indianapolis 46250
Tel: (317) 842-1000
Telex: 810-260-1797
IOWA
2415 Heinz Road
Iowa City 52240
Tel: (319) 351-1020

KENTUCKY
10170 Linn Station Road
Suite 525
Louisville 40223
Tel: (502) 426-0106
LOUISIANA
P.O. Box 1449
3229-S Williams Boulevard
Kenner 70062
Tel: (504) 443-6201

MARYLAND
7121 Standard Drive
Parkway Industrial Center
Hanover 21076
Tel: (301) 796-7700
Telex: 710-862-1943
2 Choke Cherry Road
Rockville 20850
Tel: (301) 948-6370
Telex: 710-828-9684
MASSACHUSETTS
32 Hartwell Ave.
Lexington 02173
Tel: (617) 861-8960
Telex: 710-326-6904
MICHIGAN
23855 Research Drive
Farmington Hills 48024
Tel: (313) 476-6400
724 West Centre Ave.
Kalamazoo 49002
Tel: (616) 323-8362
MINNESOTA
2400 N. Prior Ave.
St. Paul 55113
Tel: (612) 636-0700
MISSISSIPPI
322 N. Main Plaza
Jackson 39206
Tel: (601) 982-9363
MISSOURI
11313 Colorado Ave
Kansas City 64137
Tel: (816) 763-8000
Telex: 910-771-2087
1024 Executive Parkway
St. Louis 63141
Tel: (314) 878-0200
NEBRASKA
Medical Only
7101 Mercy Road
Suite 101
Omaha 68106
Tel: (402) 392-0948
NEVADA
"Las Vegas"
4171 North Mesa
Suite C110
El Paso 79902
Tel: (915) 533-3555
P.O. Box 42816
10535 Harwin St.
Houston 77036
Tel: (713) 776-6400
"Lubbock"
Medical Service Only
Tel: (806) 799-4472
P.O. Box 1270
201 E. Arapaho Rd.
Richardson 75081
Tel: (214) 231-6101
205 Billy Mitchell Road
San Antonio 78226
Tel: (512) 434-8241
UTAH
2160 South 3270 West Street
Salt Lake City 84119
Tel: (801) 972-4711
VIRGINIA
P.O. Box 9669
2914 Hungary Spring Road
Richmond 23228
Tel: (804) 286-3431
Computer Systems/Medical
Only
Airpori Executive Center
Suite 302
5700 Thurston Avenue
Virginia Beach 23455
Tel: (804) 460-2471
WASHINGTON
Bl' Vield Office Pk.
1203 - 114th Ave. S.E.
Bellevue 98004
Tel: (206) 454-3971
Telex: 910-443-2446
P.O. Box 4010
Spokane 99202
Tel: (509) 535-0864
"WEST VIRGINIA"
Medical/Analytical Only
4604 Mac Corbie Ave. S.E.
Charleston 25304
Tel: (304) 925-0492
WISCONSIN
150 South Sunny Slope Road
Brookfield 53005
Tel: (414) 784-8800
"Service Only"
2-15 80

3938 Lanekstern Boulevard
North Hollywood 91604
Tel: (213) 877-1282
Telex: 910-499-2671
3200 Hiview Ave
Palo Alto, CA 94304
Tel: (408) 988-7000
646 W. North Market Blvd.
Sacramento 95834
Tel: (916) 929-7222
9606 Aero Drive
P.O. Box 23333
San Diego 92123
Tel: (714) 279-3200
363 Brookhollow Dr
Santa Ana, CA 92705
Tel: (714) 641-0977
3003 Scott Boulevard
Santa Clara 95050
Tel: (408) 988-7000
Telex: 910-338-0518
454 Carlton Court
So. San Francisco 94080
Tel: (415) 877-0772
"Tarzana"
Tel: (213) 705-3344
COLORADO
5600 DTC Parkway
Englewood 80110
Tel: (303) 771-3455
CONNECTICUT
47 Barnes Industrial Road
Barnes Park South
Wallingford 06492
Tel: (203) 265-7801
FLORIDA
P.O. Box 24210
2727 N.W. 22nd Street
Ft. Lauderdale 33309
Tel: (305) 973-2600
4080 Woodcock Drive # 132
Brown Building
Jacksonville 32207
Tel: (904) 998-0663
P.O. Box 13910
6177 Lake Ellenor Dr.
Orlando 32809
Tel: (305) 859-2900
P.O. Box 12826
Suite 5, Bldg. 1
Office Park North
Pensacola 32575
Tel: (904) 476-8422
110 South Hoover Blvd
Tampa 33609
Tel: (813) 872-0900
GEORGIA
P.O. Box 105005
450 Interstate North Parkway
Atlanta 30348
Tel: (404) 955-1500
Telex: 110-766-4899
Medical Service Only
"Augusta 30903
Tel: (404) 736-0692
P.O. Box 2103
1172 N. Davis Drive
Warner Robins 31098
Tel: (912) 922-0449
HAWAII
2875 So. King Street
Honolulu 96826
Tel: (808) 955-4555
ILLINOIS
211 Prospect Rd.
Bloomington 61701
Tel: (309) 663-0383
5201 Tolliver Dr.
Rolling Meadows 60008
Tel: (312) 255-9800
Telex: 910-687-2280
INDIANA
7301 North Shadeland Ave.
Indianapolis 46250
Tel: (317) 842-1000
Telex: 810-260-1797
IOWA
2415 Heinz Road
Iowa City 52240
Tel: (319) 351-1020
KENTUCKY
10170 Linn Station Road
Suite 525
Louisville 40223
Tel: (502) 426-0106
LOUISIANA
P.O. Box 1449
3229-S Williams Boulevard
Kenner 70062
Tel: (504) 443-6201

MARYLAND
7121 Standard Drive
Parkway Industrial Center
Hanover 21076
Tel: (301) 796-7700
Telex: 710-862-1943
2 Choke Cherry Road
Rockville 20850
Tel: (301) 948-6370
Telex: 710-828-9684
MASSACHUSETTS
32 Hartwell Ave.
Lexington 02173
Tel: (617) 861-8960
Telex: 710-326-6904
MICHIGAN
23855 Research Drive
Farmington Hills 48024
Tel: (313) 476-6400
724 West Centre Ave.
Kalamazoo 49002
Tel: (616) 323-8362
MINNESOTA
2400 N. Prior Ave.
St. Paul 55113
Tel: (612) 636-0700
MISSISSIPPI
322 N. Main Plaza
Jackson 39206
Tel: (601) 982-9363
MISSOURI
11313 Colorado Ave
Kansas City 64137
Tel: (816) 763-8000
Telex: 910-771-2087
1024 Executive Parkway
St. Louis 63141
Tel: (314) 878-0200
NEBRASKA
Medical Only
7101 Mercy Road
Suite 101
Omaha 68106
Tel: (402) 392-0948
NEVADA
"Las Vegas"
4171 North Mesa
Suite C110
El Paso 79902
Tel: (915) 533-3555
P.O. Box 42816
10535 Harwin St.
Houston 77036
Tel: (713) 776-6400
"Lubbock"
Medical Service Only
Tel: (806) 799-4472
P.O. Box 1270
201 E. Arapaho Rd.
Richardson 75081
Tel: (214) 231-6101
205 Billy Mitchell Road
San Antonio 78226
Tel: (512) 434-8241
UTAH
2160 South 3270 West Street
Salt Lake City 84119
Tel: (801) 972-4711
VIRGINIA
P.O. Box 9669
2914 Hungary Spring Road
Richmond 23228
Tel: (804) 286-3431
Computer Systems/Medical
Only
Airpori Executive Center
Suite 302
5700 Thurston Avenue
Virginia Beach 23455
Tel: (804) 460-2471
WASHINGTON
Bl' Vield Office Pk.
1203 - 114th Ave. S.E.
Bellevue 98004
Tel: (206) 454-3971
Telex: 910-443-2446
P.O. Box 4010
Spokane 99202
Tel: (509) 535-0864
"WEST VIRGINIA"
Medical/Analytical Only
4604 Mac Corbie Ave. S.E.
Charleston 25304
Tel: (304) 925-0492
WISCONSIN
150 South Sunny Slope Road
Brookfield 53005
Tel: (414) 784-8800
"Service Only"
2-15 80

MINNESOTA
2400 N. Prior Ave.
St. Paul 55113
Tel: (612) 636-0700
MISSISSIPPI
322 N. Main Plaza
Jackson 39206
Tel: (601) 982-9363
MISSOURI
11313 Colorado Ave
Kansas City 64137
Tel: (816) 763-8000
Telex: 910-771-2087
1024 Executive Parkway
St. Louis 63141
Tel: (314) 878-0200
NEBRASKA
Medical Only
7101 Mercy Road
Suite 101
Omaha 68106
Tel: (402) 392-0948
NEVADA
"Las Vegas"
4171 North Mesa
Suite C110
El Paso 79902
Tel: (915) 533-3555
P.O. Box 42816
10535 Harwin St.
Houston 77036
Tel: (713) 776-6400
"Lubbock"
Medical Service Only
Tel: (806) 799-4472
P.O. Box 1270
201 E. Arapaho Rd.
Richardson 75081
Tel: (214) 231-6101
205 Billy Mitchell Road
San Antonio 78226
Tel: (512) 434-8241
UTAH
2160 South 3270 West Street
Salt Lake City 84119
Tel: (801) 972-4711
VIRGINIA
P.O. Box 9669
2914 Hungary Spring Road
Richmond 23228
Tel: (804) 286-3431
Computer Systems/Medical
Only
Airpori Executive Center
Suite 302
5700 Thurston Avenue
Virginia Beach 23455
Tel: (804) 460-2471
WASHINGTON
Bl' Vield Office Pk.
1203 - 114th Ave. S.E.
Bellevue 98004
Tel: (206) 454-3971
Telex: 910-443-2446
P.O. Box 4010
Spokane 99202
Tel: (509) 535-0864
"WEST VIRGINIA"
Medical/Analytical Only
4604 Mac Corbie Ave. S.E.
Charleston 25304
Tel: (304) 925-0492
WISCONSIN
150 South Sunny Slope Road
Brookfield 53005
Tel: (414) 784-8800
"Service Only"
2-15 80

NEW JERSEY
Crystal Brook Professional
Building
Route 35
Eatontown 07724
Tel: (201) 542-1384
W. 120 Century Rd.
Parsippany 07652
Tel: (201) 265-5000
Telex: 710-990-4951
NEW MEXICO
P.O. Box 11634
Station E
Albuquerque 87123
Tel: (505) 292-1330
Telex: 910-989-1185
156 Wyatt Drive
Las Cruces 89001
Tel: (505) 526-2484
Telex: 910-9883-0550
NEW YORK
6 Automation Lane
Computer Park
Albany 12205
Tel: (518) 458-1550
Telex: 710-444-4961
650 Penitenti Hill Office Park
Fairport 14450
Tel: (716) 223-9650
Telex: 510-253-0092
No. 1 Pennsylvania Plaza
55th Floor
34th Street & 8th Avenue
New York 10001
Tel: (212) 971-0800
1203 - 114th Ave. S.E.
Bellevue 98004
Tel: (206) 454-3971
Telex: 910-443-2446
P.O. Box 4010
Spokane 99202
Tel: (509) 535-0864
"WEST VIRGINIA"
Medical/Analytical Only
4604 Mac Corbie Ave. S.E.
Charleston 25304
Tel: (304) 925-0492
WISCONSIN
150 South Sunny Slope Road
Brookfield 53005
Tel: (414) 784-8800
"Service Only"
2-15 80

NEW YORK
6 Automation Lane
Computer Park
Albany 12205
Tel: (518) 458-1550
Telex: 710-444-4961